



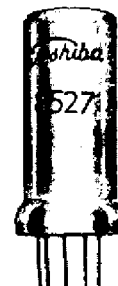
TOSHIBA ELECTRON TUBE

8527

MEDIUM-MU TRIODE

The Toshiba 8527 is a heater-cathode type medium-mu triode of micro metal miniature construction with metal shell and ceramic stem to adapt standard 8-pin subminiature socket.

It is designed for use including RF or IF amplifier, and oscillator of high frequency up to 500 Mc/s in industrial and military airborne equipment which may be subjected to severe shock and vibration.



GENERAL DATA

ELECTRICAL :

Cathode: Coated unipotential

Heater voltage	6.3	V
Heater current	0.15	A

Direct interelectrode capacitances:

Grid to plate	1.3	PF
Input	2.4	PF
Output	2.4	PF

MECHANICAL :

Operating position	Any
Maximum overall length	1.082"
Maximum seated length	0.867"
Maximum diameter	0.434"
Bulb	Metal shell
Base	E8-9 (ceramic)

MAXIMUM RATINGS; Absolute maximum values:

Plate voltage	165 max.	V
Grid voltage		
Positive bias value	0 max.	V
Negative bias value	55 max.	V
DC plate current	22 max.	mA
DC grid current	5.5 max.	mA
Plate dissipation	3.3 max.	W
Heater-cathode voltage		
Heater positive, total dc and peak	200 max.	V
Heater negative, total dc and peak	200 max.	V



TOSHIBA ELECTRON TUBE

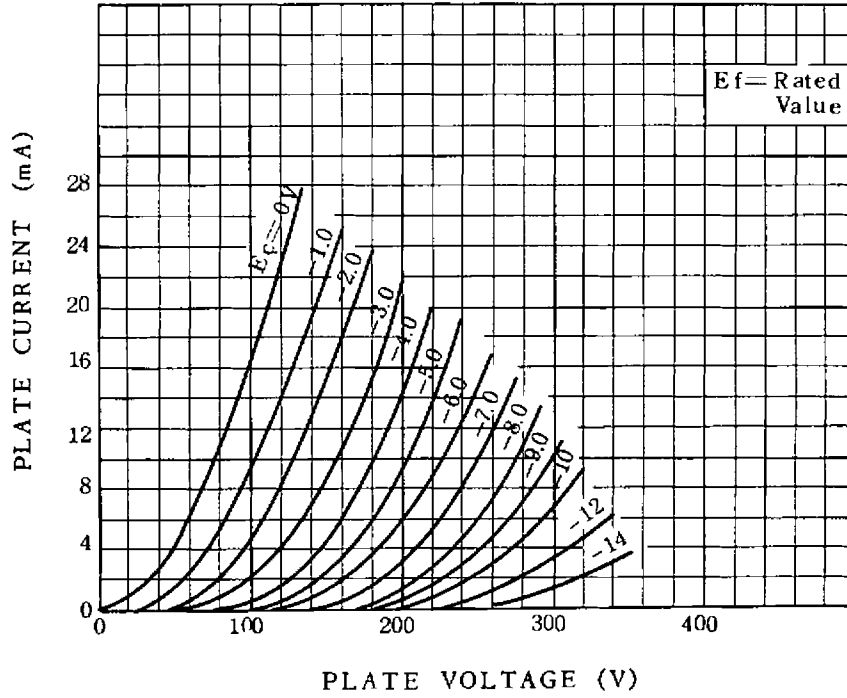
Grid circuit resistance	1.2 max.	MΩ
Bulb temperature at hottest point on bulb surface	220 max.	°C
Altitude	80000 max.	Feet

CHARACTERISTICS; Class A1 amplifier

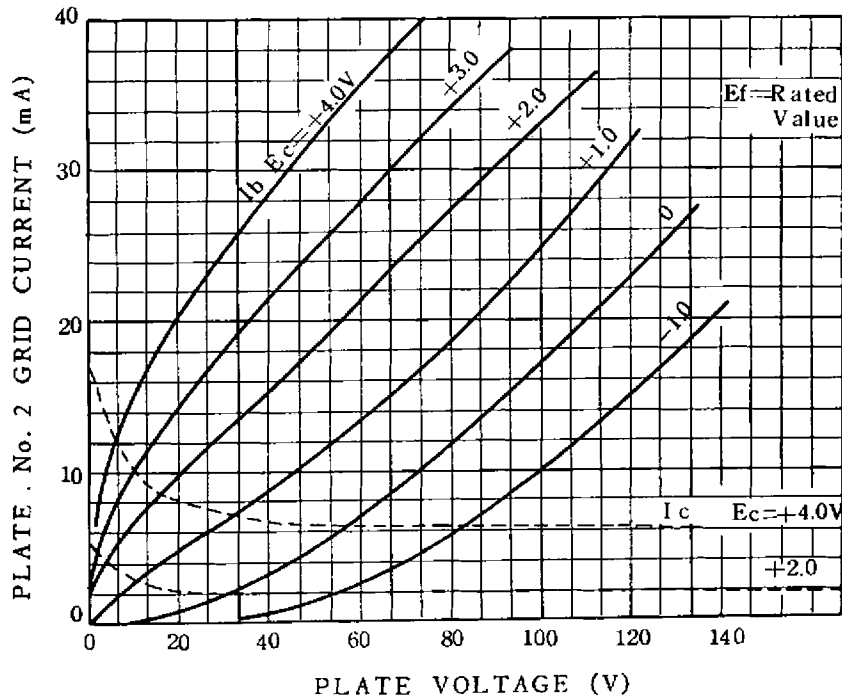
Plate voltage	100	150	V
Cathode resistor	150	180	Ω
Amplification factor	27	27	
Plate resistance (Approx)	4650	4150	Ω
Transconductance	5800	6500	μU
Plate current	8.5	13.0	mA
Grid voltage (Approx.) for $I_b = 10 \mu A$	-7	-11	V

TOSHIBA ELECTRON TUBE

AVERAGE PLATE CHARACTERISTICS



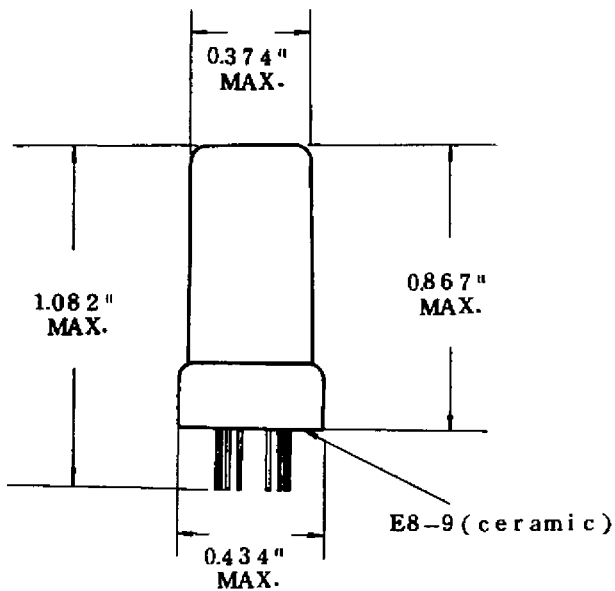
AVERAGE PLATE CHARACTERISTICS



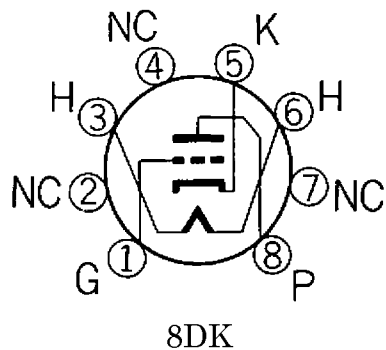
Toshiba

TOSHIBA ELECTRON TUBE

8527
DIMENSIONAL OUTLINE:
Dimensions in Inches



8527
BASING DIAGRAM:
Bottom View



- Pin 1: Grid
- Pin 2: No Connection
- Pin 3: Heater
- Pin 4: No Connection
- Pin 5: Cathode
- Pin 6: Heater
- Pin 7: No Connection
- Pin 8: Plate

All inquiries as to the data should be addressed to Tube and Semiconductor Division,
Tokyo Shibaura Electric Co., Ltd., 12, 1-chome, Yuraku-cho, Chiyoda-ku, Hibiya
Mitsui Building, Tokyo, Japan.