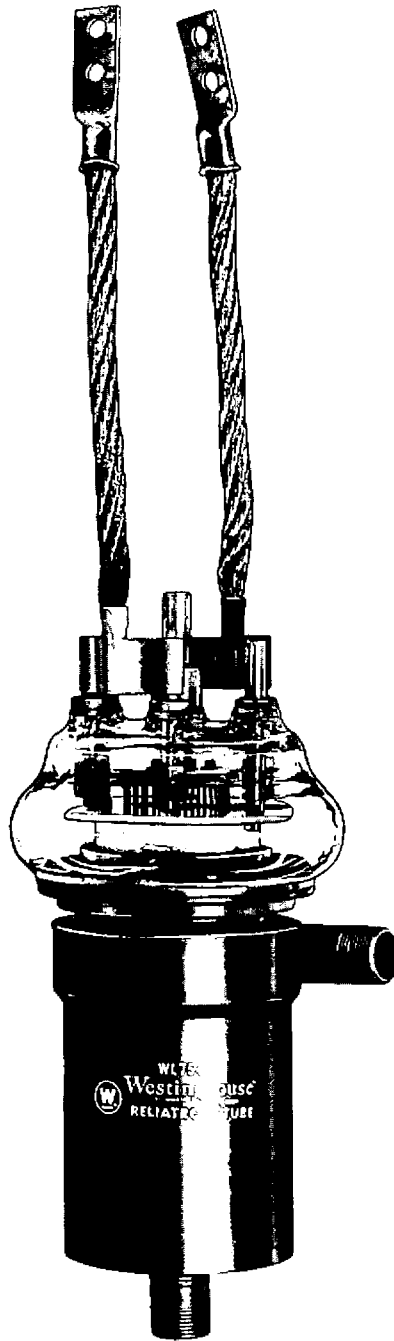


LO MU POWER TRIODE TYPE 7540

The 7540 is a three electrode tube designed for zero drive modulator service. The anode is rated for 35KW dissipation during Continuous Commercial Service. An accurately aligned integral water jacket assures steam free operation even under most severe beaming conditions. The cathode is thoriated tungsten. Ratings are for audio frequency only.

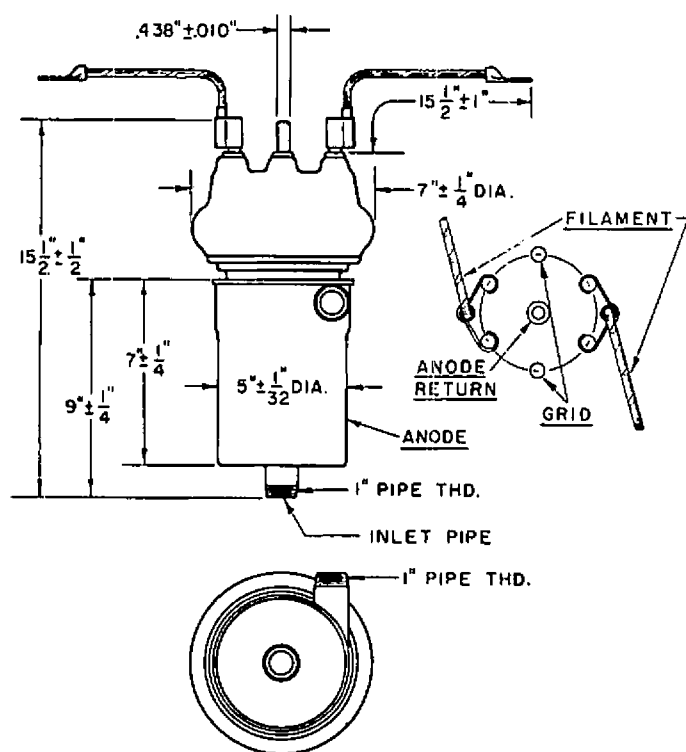


ELECTRICAL:

Filament Voltage	5.0
Filament Amperes	250
Amplification Factor	5
Interelectrode Capacities: (approx.)	
Grid to Plate	50 μmf
Grid to Filament	65 μmf
Plate to Filament	8 μmf

MECHANICAL:

Mounting Position	Vertical anode down
Anode Cooling	water-30gpm
Max. water outlet Temperature	70°C
Water Pressure drop	8psi/30gpm
Max. Glass Temperature	180°C
Glass Seal Cooling	.50 CFM
Net Weight	18 Pounds
Shipping Weight	

**MAXIMUM RATINGS**

Absolute Maximum Values	CCS	
DC Plate Voltage	15 max.	Kilovolts
DC Plate Current*	10 max.	Amperes
Plate Power Input*	70 max.	Kilowatts
Plate Dissipation*	35 max.	Kilowatts
Grid Dissipation	0 max.	Watts

* Averaged over AF cycle of sine wave.

TYPICAL OPERATING CHARACTERISTICS

(Two Tubes in Push-Pull)

DC Plate Voltage	10	12.5	Kilovolts
DC Grid Voltage	-2000	-2800	Volts
Peak AF Grid to Grid Voltage	3950	5500	Volts
Zero signal DC Plate Current	2	1	Amperes
Max. Signal DC Plate Current	9.5	8	Amperes
Effective Plate-to-Plate Load Resistance	1880	3000	Ohms
Driving power	0	0	Watts
Max. Signal Power Output	52.5	59	Kilowatts

TYPICAL OPERATING CHARACTERISTICS

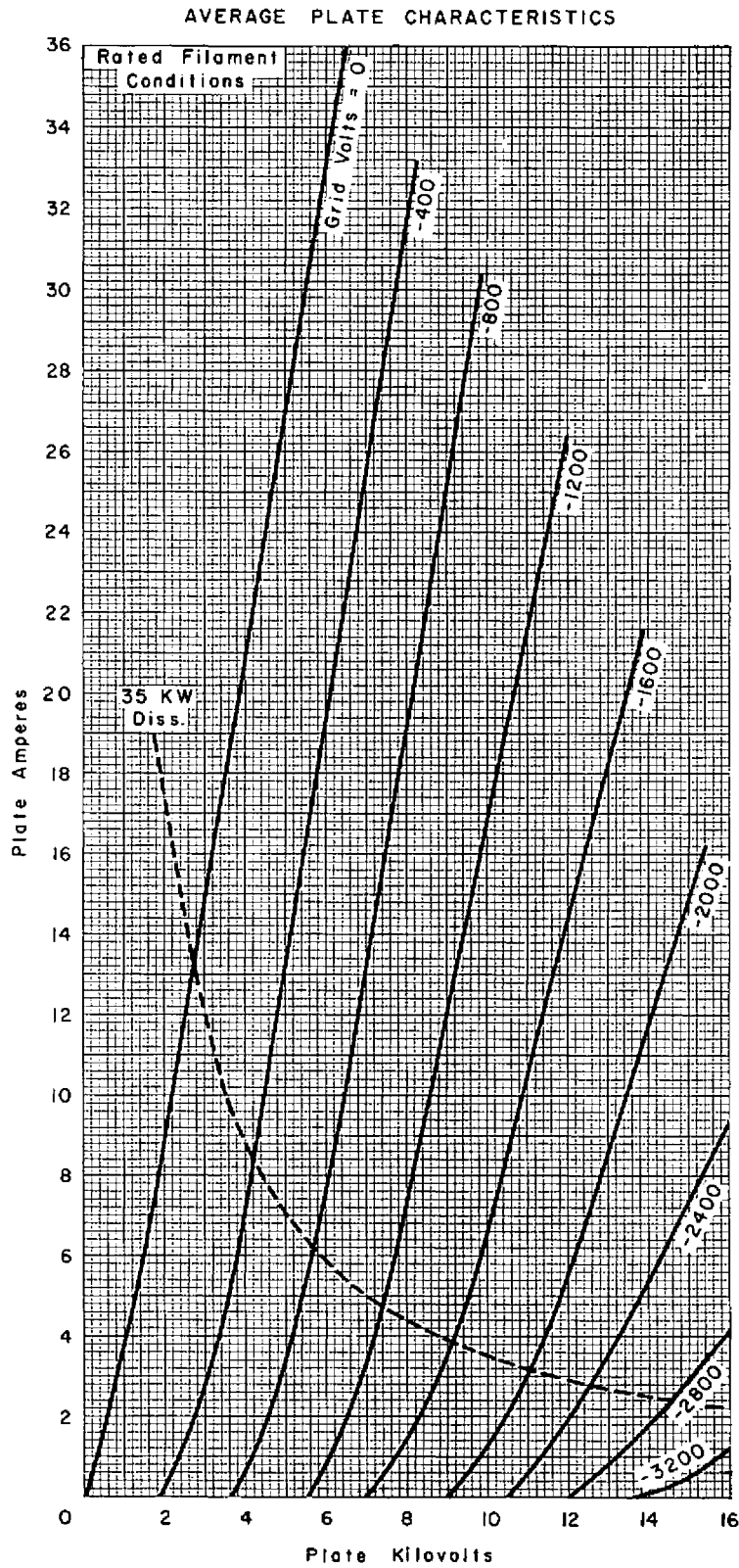
(Two Tubes in Push-Pull)

(Reactive Load)

DC Plate Voltage	12.5	Kilovolts
DC Grid Voltage	-2800	Volts
Peak AF Grid to Grid Voltage	5500	Volts
Zero Signal DC Plate Current	1.0	Amperes
Max. Signal DC Plate Current	3.1	Amperes
Effective Plate-to-Plate Load Resistance	9400	Ohms
Driving Power	0	Watts
Instantaneous Peak Power Output	37.5	K.V.A.
Load power Factor	0.2	

COOLING WATER REQUIREMENTS

Anode Dissipation Kilowatts	Water Flow Gallons/Minute
17	15
23	20
29	25
35	30



CE-B1562