

### THYRATRON TYPE WL-7298

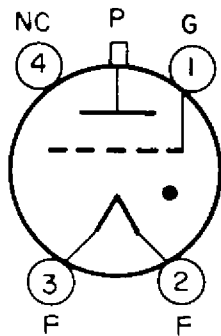
The WL-7298 is a three-electrode, inert-gas-filled, grid-controlled thyatron with negative control characteristics. Cooling is by unrestricted air convection and characteristics remain essentially unchanged over a wide range of ambient temperatures. The WL-7298 is designed for application in industrial control circuits requiring a quick heating cathode. The WL-7298 is electrically similar to the WL-5878 and WL-7299.

**ELECTRICAL:**

|   |                                 |      |       |          |
|---|---------------------------------|------|-------|----------|
| Cathode . . . . .   | Directly Heated Coated Filament |      |       |          |
| Filament:   | Min. Bogeys                     | Max. |       |          |
| Voltage . . . . .   | 2.37                            | 2.50 | 2.63  | Volts    |
| Current at Filament Volts=2.5 . . . . .                                   | 19.0                            | 21.0 | 23.0  | Amperes  |
| Heating Time . . . . .  | 60                              | -    | -     | Seconds  |
| Ionization Time . . . . .   |                                 | 10   |       | usec     |
| Critical Anode Voltage at Grid  |                                 |      |       |          |
| Voltage of +6 Volts . . . . .   | -                               | -    | 100   | Volts    |
| Critical Grid Voltage at Anode Voltage of 1500 Volts-See Fig. 1 . . . . . | -4.0                            | -9.5 | -15.0 | Volts    |
| Interelectrode Capacitances (Approx.)                                     |                                 |      |       |          |
| Anode to Grid . . . . .   |                                 | 1.0  |       | uuf      |
| Grid to Cathode . . . . .   |                                 | 28.0 |       | uuf      |
| Typical Arc Drop . . . . .  |                                 | 16   |       | Volts    |
| Control Characteristic . . . . .  |                                 |      |       | Negative |

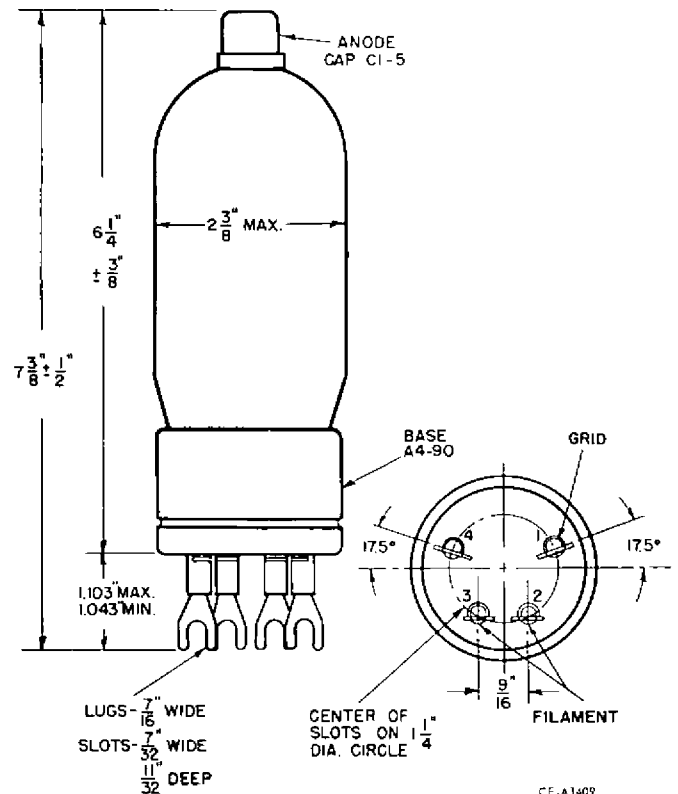
**MECHANICAL:**

|                                      |                              |
|--------------------------------------|------------------------------|
| Mounting Position . . . . .          | Any                          |
| Overall Height (Approx.) . . . . .   | 7-3/8"                       |
| Overall Diameter (Maximum) . . . . . | 2-3/8"                       |
| Type of Cooling . . . . .            | Air, Unrestricted Convection |
| Temperature Range . . . . .          | -55 to +70° C                |
| Bulb . . . . .                       | T-18                         |
| Anode Cap . . . . .                  | JETEC CI-5                   |
| Base . . . . .                       | JETEC A4-90                  |
| Net Weight (Approx.) . . . . .       | 8 oz.                        |
| Shipping Weight (Approx.) . . . . .  | 2 lb.                        |



**BASE CONNECTIONS**

G - Control Grid  
 F - Filament  
 P - Anode  
 NC - No Connection



CE-A1409

CE-A1137

Thyratron Section

### MAXIMUM RATINGS

#### ABSOLUTE MAXIMUM VALUES:

|   |           |         |
|---|-----------|---------|
| <b>Peak Anode Voltage</b>                     |           |         |
| Forward . . . . .                             | 1500 max. | Volts   |
| Inverse . . . . .                             | 1500 max. | Volts   |
| <b>Anode Current</b>                          |           |         |
| Peak . . . . .                                | 80 max.   | Amperes |
| Average (Averaging Time 15 Seconds)           | 6.4 max.  | Amperes |
| Surge (Duration 0.10 Second or Less) .        | 1120 max. | Amperes |
| Commutation Factor <sup>Δ</sup> . . . . .     | 200 max.  | va/usec |
| Current Rate of Change . . . . .              | 0.25 max. | a/usec  |
| Voltage Rate of Change . . . . .              | 800 max.  | v/usec  |
| <b>Negative Control Grid Voltage</b>          |           |         |
| Before Conduction . . . . .                   | 250 max.  | Volts   |
| During Conduction <sup>§</sup> . . . . .      | 10 max.   | Volts   |
| <b>Average Positive Control Grid Current</b>  |           |         |
| Averaging Time=1 cycle <sup>Δ</sup> . . . . . | 0.20 max. | Ampere  |
| Operating Frequency <sup>⊕</sup> . . . . .    | 60 max.   | cps     |

### NOTES

**General** These ratings are important in the prevention of "clean-up" or loss of the inert gas filling. Their observance will reduce the bombardment of anode or grid by positive ions of the gas filling, which may cause the gas ions to be absorbed in the tube element concerned.

All anode and grid returns should be made to the center of the filament transformer.

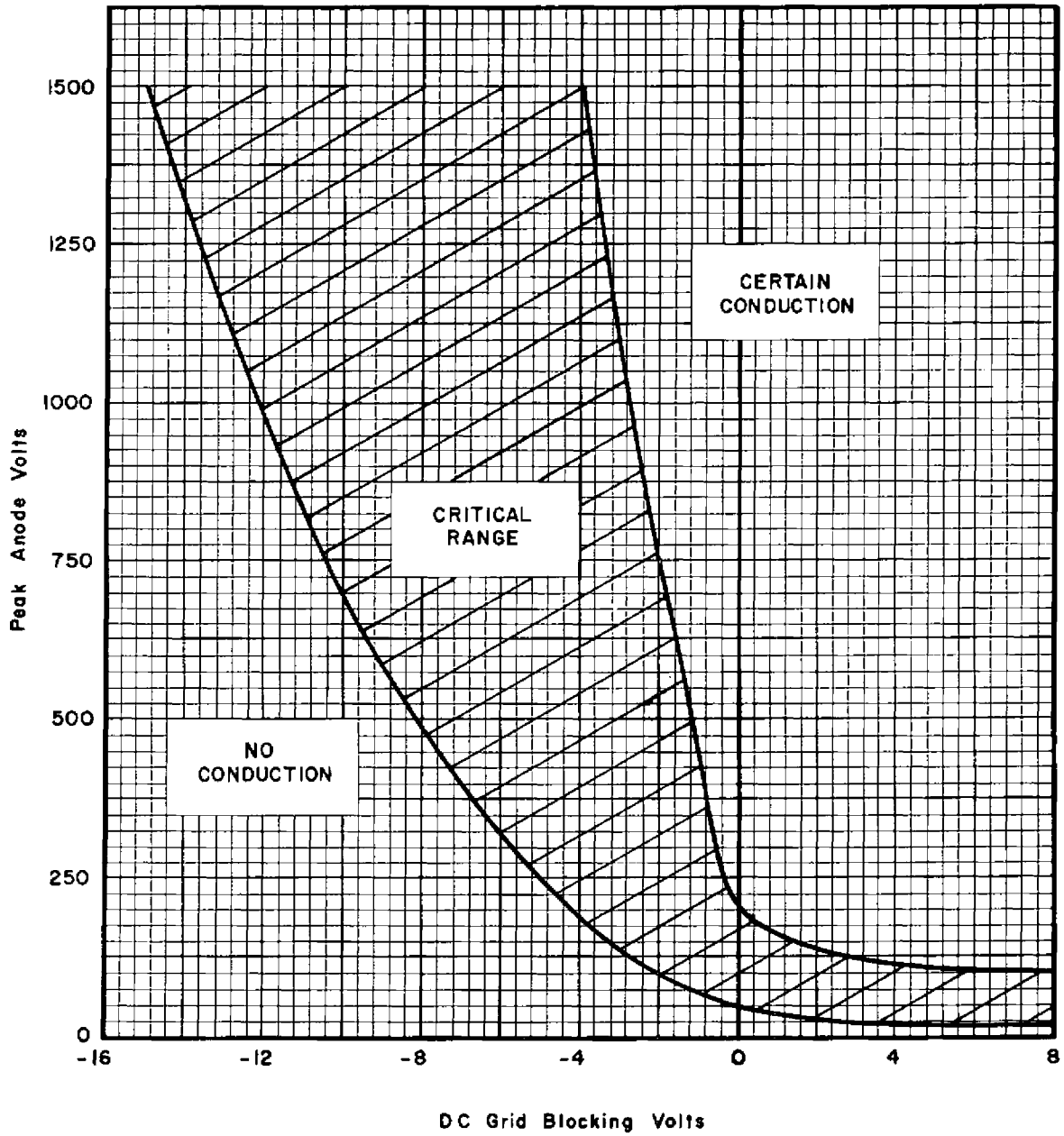
<sup>Δ</sup> Commutation factor is the product of the rate of current decay in amperes per microsecond just prior to the end of commutation and the rate of inverse voltage rise in volts per microsecond just after the end of commutation. Its value should not exceed the value given in order to reduce ion bombardment of the anode during the deionization period. Limits are given on both components of this factor to correspond to factory test data limits. The limit on current rate of change is about at the highest value which is allowable under the fault current limit

<sup>§</sup> When the tube conducts, positive ions are attracted to a grid at negative potential. This positive ion current flowing through the grid resistor will reduce the negative voltage at the grid from the higher negative grid supply voltage. To reduce ion grid bombardment, sufficient resistance must be provided to drop the negative grid supply voltage to a value not more negative than -10 volts as shown in the ratings.

<sup>Δ</sup> This rating indicates the heat emission properties of the grid. This value of current may be safely drawn to the grid if conduction occurs only while the anode is positive. However, during the period of negative anode potential, the grid potential must also be negative to prevent electrons being drawn to the grid and generating positive ions which would bombard the anode.

<sup>⊕</sup> For higher frequency ratings, consult the tube manufacturers.

CRITICAL GRID VOLTAGE



CE-A1349