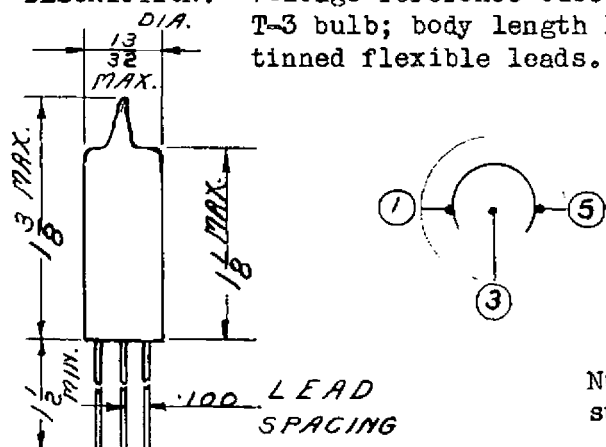


R.T.M.A. No. 6259

DESCRIPTION: Voltage reference tube of the cold cathode discharge type;
T-3 bulb; body length 1-3/8" max; button base, 0.016" tinned flexible leads.



LEAD NO.	ELEMENT
1	cathode
3	anode
5	cathode

Numbers refer to pin holes in standard sub-miniature tube socket.

MAXIMUM RATINGS (absolute value)

DC Operating current	max. 8 mA
DC Operating current	min. 1 mA

OPERATING CHARACTERISTICS

Preferred DC operating current	4.5 mA
AC resistance	max. 450 ohms
DC starting voltage	max. 97 volts
DC starting voltage	min. 92 volts
DC operating voltage at 4.5 mA; variation from tube to tube	83-87 volts
Temperature coefficient of operating voltage	-3 mV/°C
Leakage $E_b = 90V R_p = 10$ megohms	max. 2 μA
Max. percentage variation of operating voltage during life	0.5 percent
Max. percentage variation of operating voltage after first 300 hours of life	0.2 percent
Max. short term (100 hours max.) variation of operating voltage after first 300 hours of life	0.1 percent
Max. percent variation of striking voltage on life	1.0 percent

NOTES

- Equilibrium conditions are normally reached after 3 minutes operation.
- An additional feature of this tube is the stability of the striking voltage at low frequency rates.