

Security Classification: Confidential

Type 2J22  
MAGNETRON

GENERAL CHARACTERISTICS

Electrical

Cathode	Coated Unipotential
Filament voltage	6.3 volts
Filament current	1.5 amps
Frequency	3500 ± 53 Mc
Field Strength	2250 gauss
Peak anode voltage	20,000 volts
Power output at 30 amperes; .001 duty cycle	240 watts

Mechanical

Maximum Dimensions - see outline drawing  
Base connections - see outline drawing  
Mounting position - any

Maximum Ratings (peak values for duty cycle specified)

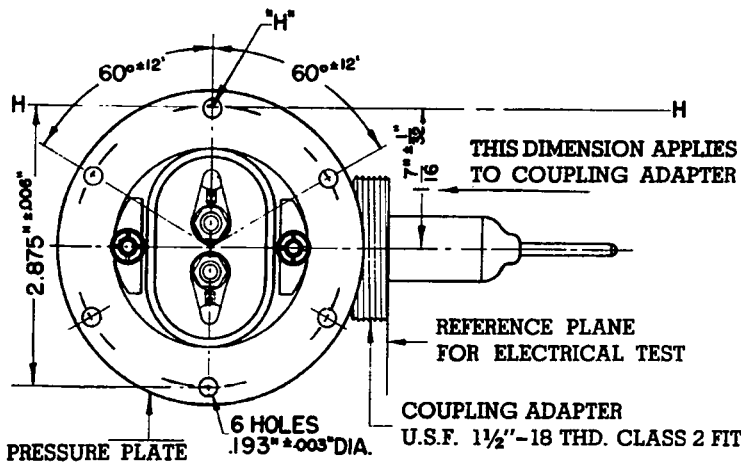
Duty cycle*	.002
Anode voltage	22,000 volts
Anode current	30 amps
Anode dissipation	350 watts

\* In any 100 microsecond interval the tube shall not be operated more than 5 microseconds.

Sponsor: Raytheon Manufacturing Company, Power Tube Division

From RMA release # 366, May 20, 1944

TECHNICAL INFORMATION  
MAGNETRON OSCILLATOR  
OUTLINE DRAWING



LINE H-H IS THE CENTERLINE OF REFERENCE HOLE "H."

SOLDERED JOINTS IN THE PRESSURE PLATE ARE VACUUM TIGHT SO THAT IT MAY BE USED TO PROVIDE A HERMETIC SEAL. ALL POINTS ON REFERENCE SURFACE ARE FLAT TO WITHIN .010" FOR 1/2" IN FROM OUTER EDGE.

COMMON HEATER-CATHODE CONNECTION INDICATED BY LETTER "C"

TWO HEX. HD. PIN JACKS 19/32" LONG, LOCATED WITHIN A RADIUS OF .023" OF THE LOCATION SPECIFIED. WILL FIT STANDARD G. R. NO. 274 BANANA PINS

