

ELECTRICAL DATA

Deflecting Method.....	Magnetic
Focusing Method.....	Magnetic
Deflection Angles, Approximate	
Horizontal.....	65 Degrees
Vertical.....	50 Degrees
Diagonal.....	70 Degrees
Direct Interelectrode Capacitances	
Cathode to all other electrodes, approximate....	5 μmf
Grid #1 to all other electrodes, approximate....	6 μmf
External Conductive Coating to Anode.....	750 μmf
Heater Current at 6.3 volts.....	500 μmf
	600 \pm 10% Ma

OPTICAL DATA

Phosphor Number.....	P7
Light Transmittance at Center, Approximate.....	66 Percent

MECHANICAL DATA

Overall Length.....	23 \pm $\frac{1}{16}$ Inches
Greatest Dimensions of Tube	
Diagonal.....	21 $\frac{7}{32}$ \pm $\frac{3}{16}$ Inches
Width.....	21 $\frac{1}{4}$ \pm $\frac{3}{16}$ Inches
Height.....	15 $\frac{9}{16}$ \pm $\frac{3}{16}$ Inches
Neck Length.....	7 $\frac{1}{2}$ \pm $\frac{3}{16}$ Inches
Bulb.....	J170-A1
Bulb Contact.....	J1-21
Base.....	B5-57
Basing.....	12N
Bulb Contact Alignment	
J1-21 contact aligns with pin position #6 \pm 30 Degrees	
Base Alignment	
Pin #6 aligns with horizontal picture axis \pm 30 Degrees	

RATINGS

(Design Maximum System)

Unless otherwise specified, voltage values are positive and measured with respect to cathode.

Maximum Anode Voltage.....	9000 Volts
Minimum Anode Voltage.....	5000 Volts
Maximum Grid #2 Voltage.....	500 Volts
Grid #1 Voltage	
Maximum Negative Value.....	140 Volts DC
Maximum Negative Peak.....	200 Volts
Maximum Positive Value.....	0 Volts DC
Maximum Positive Peak Value.....	2 Volts

Low Anode Voltage

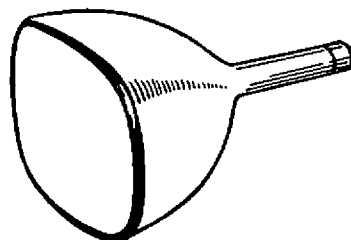
Non-Ion Trap

Aluminized

High Resolution

Magnetic Deflection

Magnetic Focus



TYPICAL OPERATING CONDITIONS

GRID DRIVE SERVICE

Unless otherwise specified, all voltage values are positive with respect to cathode.

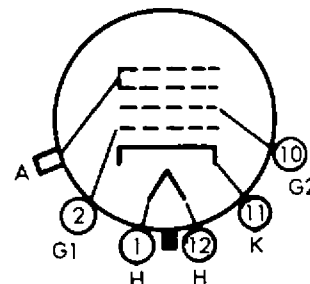
Anode Voltage.....	5000 Volts DC
Grid #2 Voltage.....	300 Volts DC
Grid #1 Voltage (Note 1).....	-28 to -72 Volts DC
Focusing Coil Current (Note 2).....	95 Ma DC

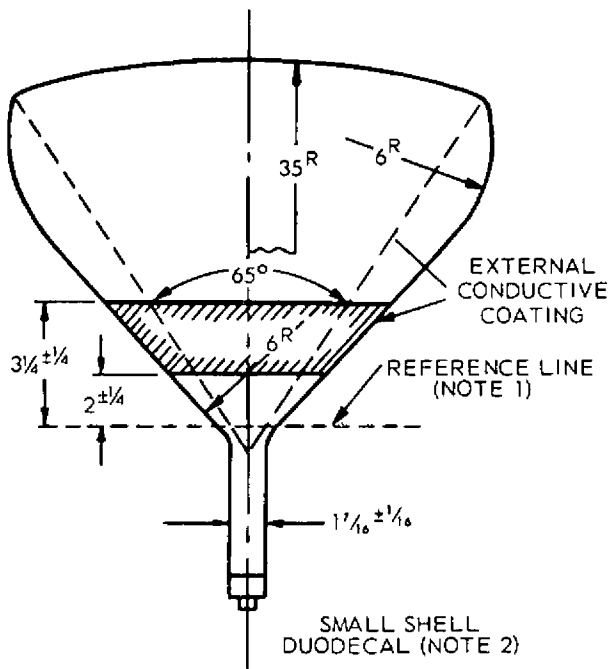
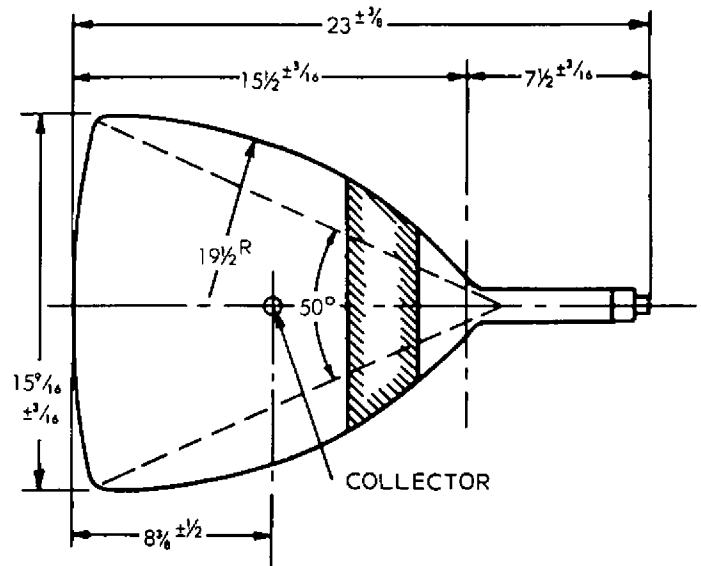
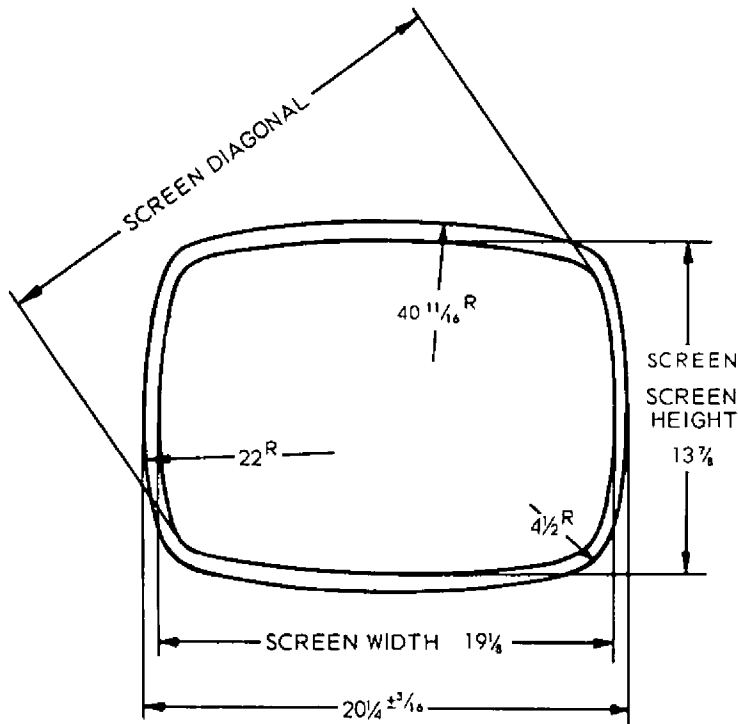
MAXIMUM CIRCUIT VALUES

Maximum Grid #1 Circuit Resistance.....	1.5 Megohms
---	-------------

BASE CONNECTIONS

Pin 1 : Heater
 Pin 2 : Grid #1
 Pin 10: Grid #2
 Pin 11: Cathode
 Pin 12: Heater
 Bulb Contact: Anode





NOTE 1: With tube neck inserted through flared end of reference line gauge (JETEC No. 110) and with tube seated in gauge, the reference line is determined by the inter-section of the plane CS' of the gauge with the glass funnel.

NOTE 2: Socket for the base should not be rigidly mounted; it should have flexible leads and be allowed to move freely. Bottom circumference of base shell will fall within a circle concentric with bulb axis and having a diameter of 3".