

Sylvania

T E N T A T I V E

TYPE 1B63

Band Pass TR Tube, X Band

PHYSICAL SPECIFICATIONS

Dimensions: As per Outline

Ionizable Medium: Argon
and Water Vapor

No. of Electrodes: Two

No. of Keep-Alive
Electrodes: One

Mounting Position: Any

Ratings and Characteristics

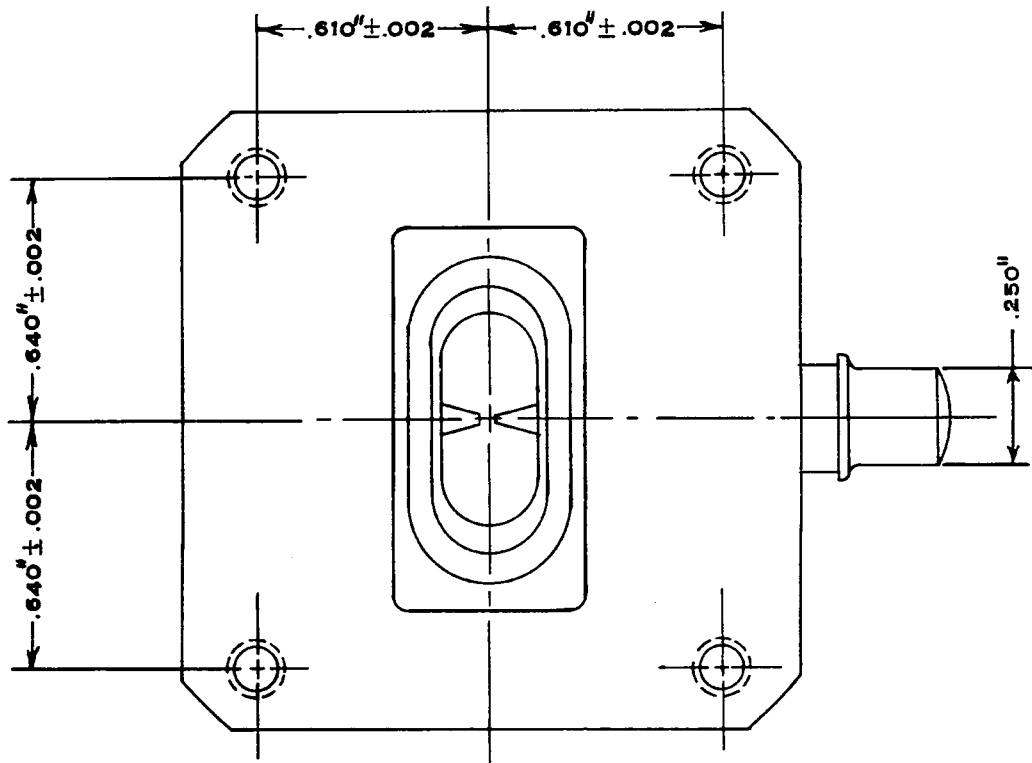
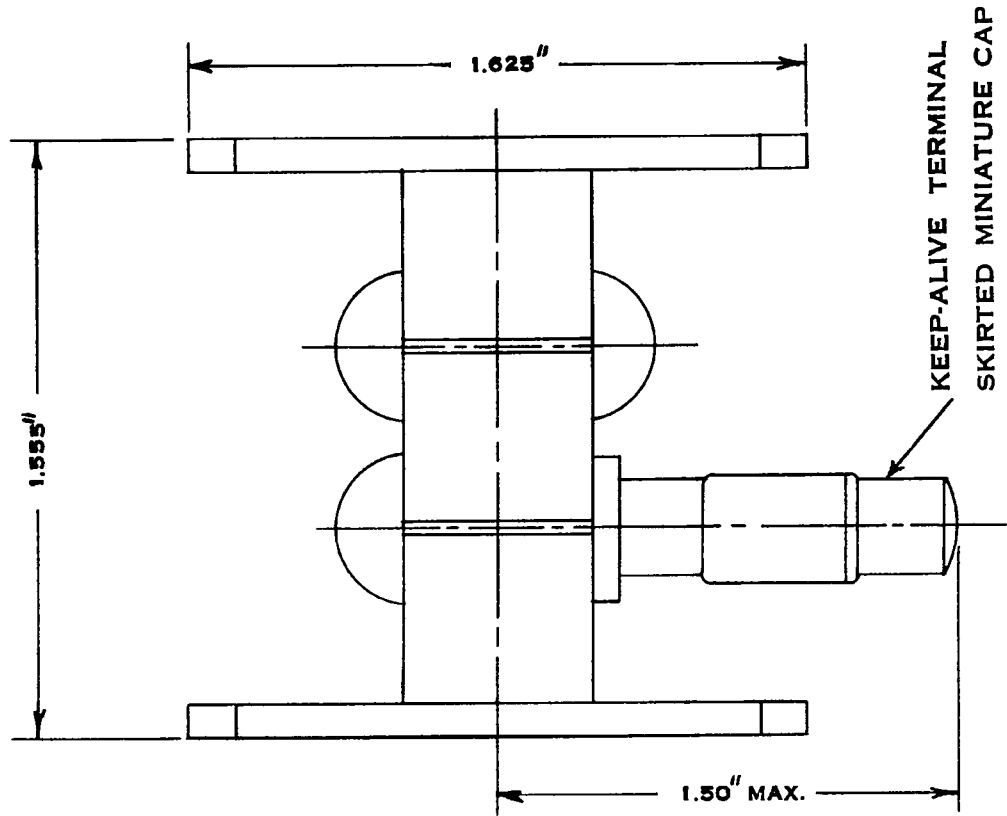
Center Frequency	9000	Mc
Band Pass Range (VSWR 1.75 Max.)	8615-9430	Mc
Minimum Keep-Alive Supply Voltage	600	Vdc
Maximum Keep-Alive Current	200	uAdc
Minimum Keep-Alive Current	100	uAdc
Maximum Keep-Alive Firing Time	5.0	sec.
Keep-Alive Voltage Drop at 150 uAdc	300	Vdc
Maximum Keep-Alive Interaction	0.2	db
Maximum Insertion Loss Over Band	0.75	db
Maximum Recovery Time (at 6 db)	2.0	us
Maximum Leakage Energy Per Pulse*	0.15	ergs
Maximum Leakage Power**	50	mw
Transmitter Average Power	300	W
Temperature Range	-40° to + 100°	C

* Energy per pulse measured in spike

**Leakage Power measured over flat portion of pulse

from RMA release # 489, April 25, 1946

SYLVANIA ELECTRIC PRODUCTS INC.
OUTLINE DRAWING
TYPE 1B63



5 April 1946