

TECHNICAL DATA

1B62

Sylvania

T E N T A T I V E

TYPE 1B62

Gas Switching Tube, External Cavity

Ratings and Characteristics

Maximum Ignitor Current	200	uAdc
Maximum Average Dissipation	1.0	W
Maximum Peak Dissipation	100	W
Maximum Ignitor Open Circuit Voltage	-1000	Vdc
Minimum Ignitor Open Circuit Voltage	-800	Vdc
*Maximum Tuning Frequency	3330	Mc
*Minimum Tuning Frequency	2800	Mc
Temperature Range	0° - 100°	C
Recovery Time Range for 3 db Loss	5-12	us

Typical Operating Conditions and Characteristics

Negative Ignitor Voltage	750	Vdc
Ignitor Current	85	uAdc
Series Protective Resistance	4	Meg

*Measured in tunable cavity

PHYSICAL SPECIFICATIONS

Dimensions: As per Outline

Mounting Position: Any

Finish: Gold or Silver
Plate on External
Parts of Discs
Except Edges.

from RMA release # 480, March 25, 1946

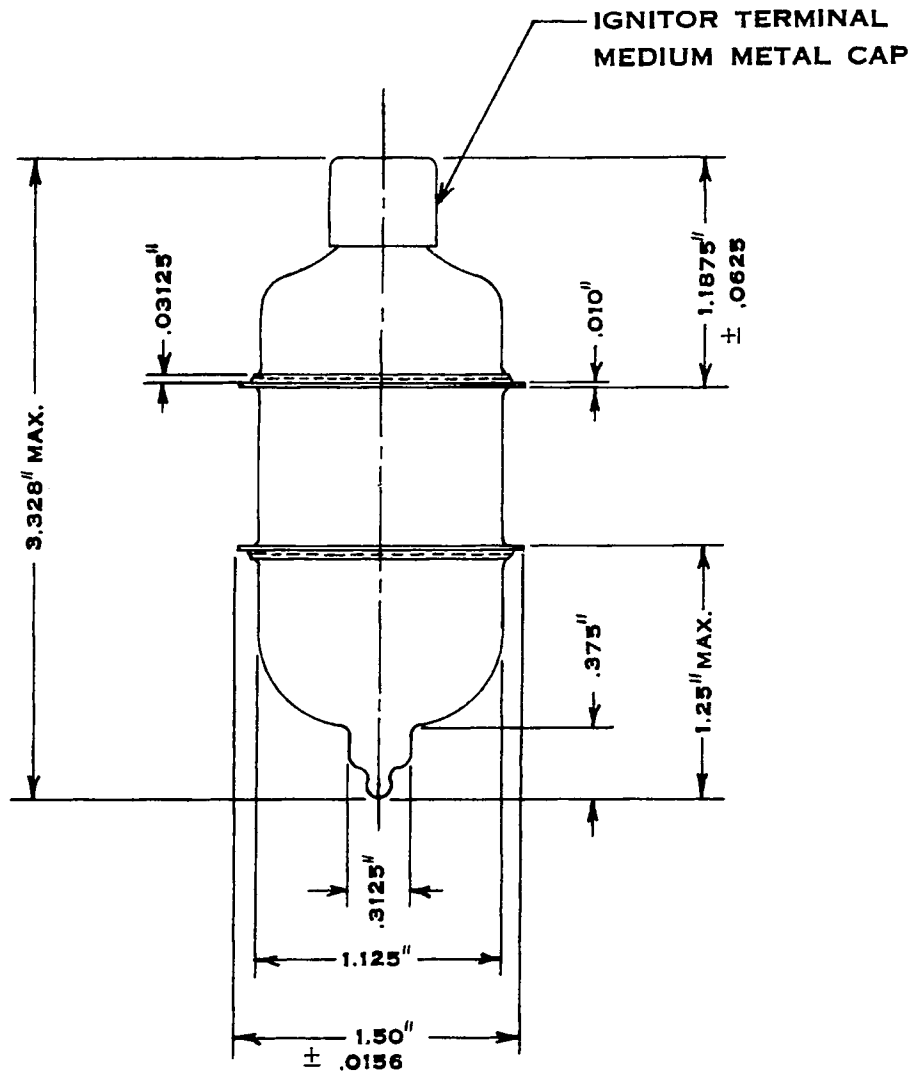
SYLVANIA ELECTRIC PRODUCTS INC.

25 February 1946

SYLVANIA ELECTRIC PRODUCTS INC.

OUTLINE DRAWING

TYPE 1B62



25 February 1946