

October 30, 1947

SYLVANIA ELECTRIC PRODUCTS INC.

Type 1B43

The 1B43 is a gas filled spark gap tube.

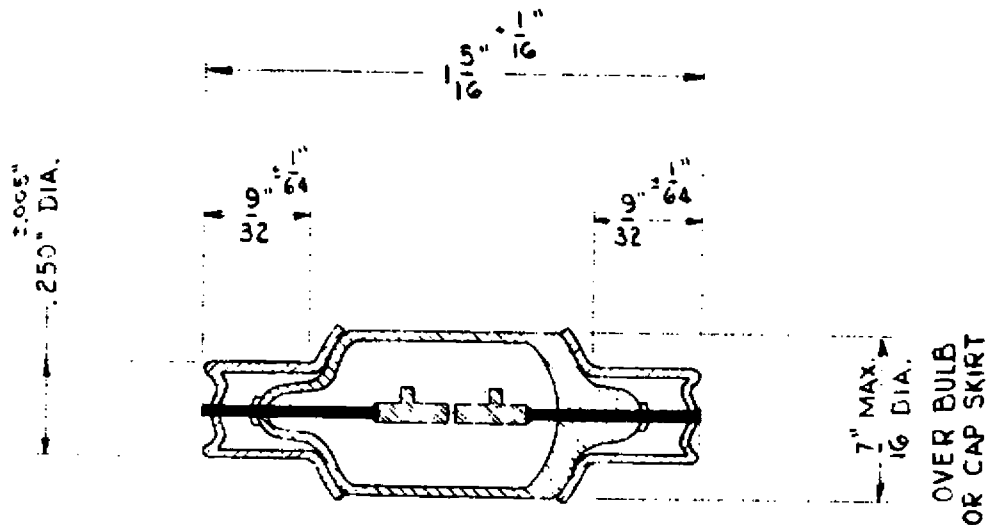
Electrical Data - General

Ignition Voltage	200 to 400	Vdc
Inter-electrode Capacity	0.3	μuf

Mechanical Data - General

Number of Electrodes	Two	
Mounting Position	Any	
Ambient Temperature Range	-40 to +100	°C
Dimensions	(See Drawing)	

This type is considered obsolete and the manufacturing equipment is no longer available.



NOTE
 TERMINAL CAPS SHALL BE NICKEL
 PLATED & SHALL BE CONCENTRIC
 WITH EACH OTHER WITHIN $\frac{1}{32}$ ".