

Attention is called to the use of Design-Maximum Ratings for this type.



19XP4

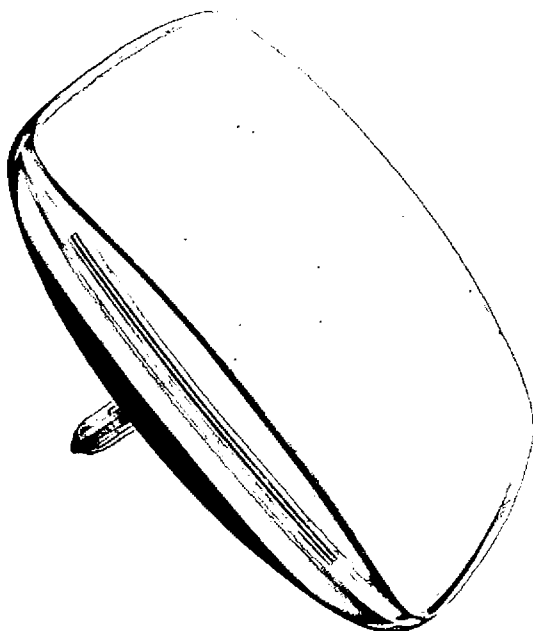
PICTURE TUBE

Low-Voltage Electro-
static Focus
114° Magnetic Deflection

Aluminized Screen
Rectangular Glass Type
Requires No Ion-Trap Magnet

15-1/8" x 12" Screen
18-3/4" Max. Bulb Diagonal
11-5/8" Max. Overall Length

RCA-19XP4 is a directly viewed, rectangular glass picture tube having an aluminized screen 15-1/8" x 12" with nearly straight sides and slightly rounded corners, and a minimum projected screen area of 172 square inches. Maximum overall length is 11-5/8".



The 19XP4 features an envelope having relatively flat, compound radius faceplate and special internal contouring in the deflecting yoke region to obtain 114° deflection with 110° deflecting components.

Other design features of the 19XP4 include a very short electron gun that minimizes deflection distortion and requires no ion-trap magnet; a neck diameter of 1-1/8"; an external conductive bulb coating; and a "neoeightar" 7-pin base of the integral glass-button type having straight through leads fitted with an indexing plug.

GENERAL DATA

Electrical:

Heater Current at 6.3 volts. 600 ± 30 ma
 Heater Warm-up Time (Average). 11 seconds
 Heater warm-up time is defined as the time required in the test circuit shown in Fig.1 for the voltage (E) across the heater terminals to increase from zero to 5 volts.
 Direct Interelectrode Capacitances:
 Cathode to all other electrodes. 5 μμf
 Grid No.1 to all other electrodes. 6 μμf
 External conductive coating to ultron* { 1500 max. μμf
 { 1000 min. μμf
 Focusing Method. Electrostatic
 Deflection Method. Magnetic
 Diagonal 114°
 Horizontal 102°
 Vertical 85°
 Electron Gun Type Requiring No Ion-Trap Magnet

Optical:

Faceplate. Filterglass
 Light transmission at center (Approx.). 78%
 Phosphor P4-Sulfide Type, Aluminized
 Fluorescence White
 Phosphorescence. White
 Persistence. Medium Short

Mechanical:

Tube Dimensions:
 Overall length. 11-3/8" ± 1/4"
 Greatest width. 16-13/32" ± 1/8"
 Greatest height 13-11/32" ± 1/8"
 Diagonal. 18-5/8" ± 1/8"
 Neck length 4-1/8" ± 1/8"
 Radius of curvature of faceplate:

	Radius at center	Radius at edge
External surface.	48"	21"
Internal surface:		
In plane of diagonal deflection.	30"	20"
In plane of horizontal deflection.	30"	20"
In plane of vertical deflection.	30"	14"

 Screen Dimensions (Minimum):
 Greatest width 15-1/8"
 Greatest height 12"
 Diagonal. 17-9/16"
 Projected area. 172 sq. in.
 Bulb. J149A1
 Cap Recessed Small Cavity (JEDEC No. J1-21)
 Base. Small-Button Neoeightar 7-Pin, Arrangement 1, (JEDEC No. B7-208)
 Basing. 8HR
 Weight (Approx.). 14 lbs
 Operating Position. Any



GRID-DRIVE[▲] SERVICE

Unless otherwise specified,
voltage values are positive with respect to cathode

Maximum and Minimum Ratings, Design-Maximum Values:▲

ULTOR [®] VOLTAGE.	{ 20000 max. volts 11000 min. volts
GRID-No. 4 VOLTAGE:	
Positive value.	1100 max. volts
Negative value.	550 max. volts
GRID-No. 2 VOLTAGE	{ 550 max. volts 200 min. volts
GRID-No. 1 VOLTAGE:	
Negative peak value	220 max. volts
Negative bias value	154 max. volts
Positive bias value	0 max. volts
Positive peak value	2 max. volts
HEATER VOLTAGE.	{ 6.9 max. volts 5.7 min. volts
PEAK HEATER-CATHODE VOLTAGE:	
Heater negative with respect to cathode:	
During equipment warm-up period not exceeding 15 seconds.	450 max. volts
After equipment warm-up period.	200 max. volts
Heater positive with respect to cathode.	200 max. volts

Equipment Design Ranges:

With any ultor voltage (E_{c5k}) between 11000 and 20000 volts and grid-No. 2 voltage (E_{c2k}) between 220 and 550 volts

Grid-No. 4 Voltage for focus \S	0 to 400 volts
Grid-No. 1 Voltage (E_{c1k}) for visual extinction of focused raster.	See Raster-Cutoff-Range Chart for Grid-Drive Service

Grid-No. 1 Video Drive from Raster Cutoff (Black Level):	
White-level value (Peak positive)	Same value as determined for E_{c1k} except video drive is a positive voltage
Grid-No. 4 Current	-25 to +25 μ a
Grid-No. 2 Current	-15 to +15 μ a
Field Strength of Adjustable Centering Magnet \S	0 to 8 gauss

Grid-No. 1 Video Drive from Raster Cutoff (Black Level):	
White-level value	36 to 94 volts

Examples of Use of Design Ranges:

With ultor voltage of 18000 volts and grid-No. 2 voltage of 400 volts	
Grid-No. 4 Voltage for focus \S	0 to 400 volts
Grid-No. 1 voltage for visual extinction of focused raster.	-36 to -94 volts
Grid-No. 1 Video Drive from Raster Cutoff (Black Level):	
White-level value	36 to 94 volts

Maximum Circuit Values:

Grid-No. 1-Circuit Resistance.	1.5 max. megohms
--	------------------

CATHODE DRIVE[■] SERVICE

Unless otherwise specified,
voltage values are positive with respect to grid No. 1

Maximum and Minimum Ratings, Design-Maximum Values:

ULTOR [®] -TO-GRID-No. 1 VOLTAGE.	{ 20000 max. volts 11000 min. volts
GRID-No. 4-TO-GRID-No. 1 VOLTAGE:	
Positive value	1100 max. volts
Negative value	550 max. volts
GRID-No. 2-TO-GRID-No. 1 VOLTAGE	{ 700 max. volts 200 min. volts
GRID-No. 2-TO-CATHODE VOLTAGE	550 max. volts

CATHODE-TO-GRID-No. 1 VOLTAGE:	
Positive peak value.	220 max. volts
Positive bias value.	154 max. volts
Negative bias value.	0 max. volts
Negative peak value.	2 max. volts

HEATER VOLTAGE	{ 6.9 max. volts 5.7 min. volts
--------------------------	------------------------------------

PEAK HEATER-CATHODE VOLTAGE:	
Heater negative with respect to cathode:	
During equipment warm-up period not exceeding 15 seconds	450 max. volts
After equipment warm-up period	200 max. volts
Heater positive with respect to cathode	200 max. volts

Equipment Design Ranges:

With any ultor-to-grid-No. 1 voltage (E_{c5g1}) between 11000 and 20000 volts and grid-No. 2-to-grid-No. 1 voltage (E_{c2g1}) between 225 and 700 volts

Grid-No. 4-to-Grid-No. 1 Voltage for focus \S	0 to 400 volts
Cathode-to-Grid-No. 1 Voltage (E_{kg1}) for visual extinction of focused raster.	See Raster-Cutoff-Range Chart for Cathode-Drive Service
Cathode-to-Grid-No. 1 Video Drive from Raster Cutoff (Black Level):	
White-level value (Peak negative)	Same value as determined for E_{kg1} except video drive is a negative voltage
Grid-No. 4 Current	-25 to +25 μ a
Grid-No. 2 Current	-15 to +15 μ a
Field Strength of Adjustable Centering Magnet \S	0 to 8 gauss

Examples of Use of Design Ranges:

With ultor-to-grid-No. 1 voltage of 18000 volts and grid-No. 2-to-grid-No. 1 voltage of 400 volts	
Grid-No. 4-to-Grid-No. 1 Voltage for focus \S	0 to 400 volts
Cathode-to-Grid-No. 1 Voltage for visual extinction of focused raster.	36 to 78 volts
Cathode-to-Grid-No. 1 Video Drive from Raster Cutoff (Black Level):	
White-level value	-36 to -78 volts

Maximum Circuit Values:

Grid-No. 1-Circuit Resistance.	1.5 max. megohms
--	------------------

▲ The maximum ratings in the tabulated data are established in accordance with the following definition of the Design-Maximum Ratings System for rating electron tubes.

Design-Maximum ratings are limiting values of operating and environmental conditions applicable to a bogey electron device of a specified type as defined by its published data, and should not be exceeded under the worst probable conditions.

The device manufacturer chooses these values to provide acceptable serviceability of the device, taking responsibility for the effects of changes in operating conditions due to variations in device characteristics.

The equipment manufacturer should design so that initially and throughout life no Design-Maximum value for the intended service is exceeded with a bogey device under the worst probable operating conditions with respect to supply-voltage variation, equipment component variation, signal variation, and environmental conditions.

● The "ultor" in a cathode-ray tube is the electrode to which is applied the highest dc voltage for accelerating the electrons in the beam prior to its deflection. In the 19XP4, the ultor function is performed by grid No. 5. Since grid No. 5, grid-No. 3, and collector are connected together within the 19XP4, they are collectively referred to simply as "ultor" for convenience in presenting data and curves.

▲ Grid drive is the operating condition in which the video signal varies the grid-No. 1 potential with respect to cathode.

- Cathode drive is the operating condition in which the video signal varies the cathode potential with respect to grid No.1 and the other electrodes.
- § Individual tubes will have satisfactory focus at same value of grid-No.4 (or grid-No.4-to-grid-No.1) voltage between 0 and 400 volts with the combined bias voltage and video-signal voltage adjusted to produce an ulior current of 100 microamperes.
- ◆ Distance from *Reference Line* for suitable PM centering magnet should not exceed 2-1/4". Excluding extraneous fields, the center of the undeflected focused spot will fall within a circle having a 5/16-inch radius concentric with the center of the tube face. It is to be noted that the earth's magnetic field can cause as much as 3/16-inch deflection of the spot from the center of the tube face.

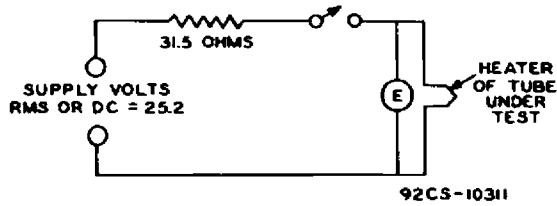


Fig. 1 - Test Circuit for Determining Heater Warm-Up Time.

OPERATING CONSIDERATIONS

X-Ray Warning. When operated at ulior voltages up to 16 kilovolts, the 19XP4 does not produce any harmful X-ray radiation. However, because the rating of this type permits operation at voltages as high as 20 kilovolts (design maximum value), shielding of the 19XP4 for X-ray radiation may be needed to protect against possible injury from prolonged exposure at close range whenever the operating conditions involve voltages in excess of 16 kilovolts.

Shatter-Proof Cover Over the Tube Face. Following conventional picture-tube practice, it is recommended that the cabinet be provided with a shatter-proof, glass cover over the face of the 19XP4 to protect it from being struck accidentally and to protect against possible damage resulting from tube implosion under some abnormal condition. This safety cover can also provide X-ray protection when required.

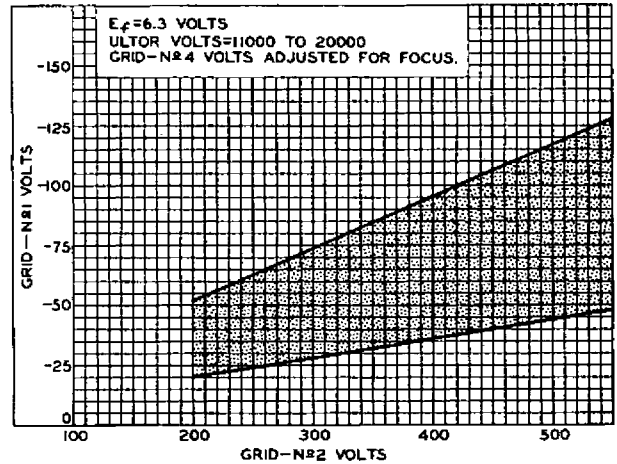


Fig. 2 - Raster-Cutoff-Range Chart for Type 19XP4 in Grid-Drive Service.

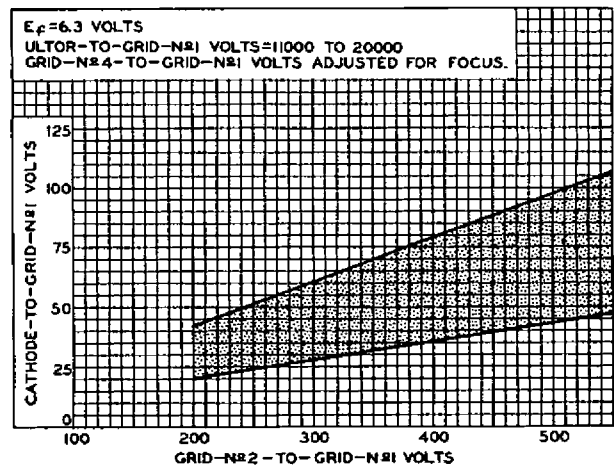


Fig. 3 - Raster-Cutoff-Range Chart for Type 19XP4 in Cathode-Drive Service.

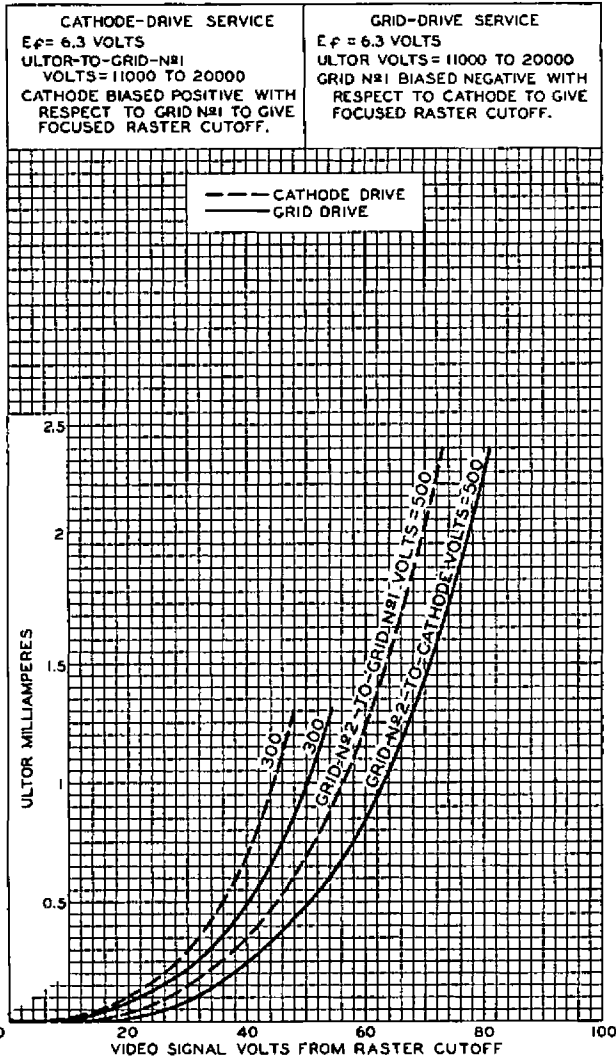


Fig. 4 - Average Drive Characteristics of Type 19XP₄.

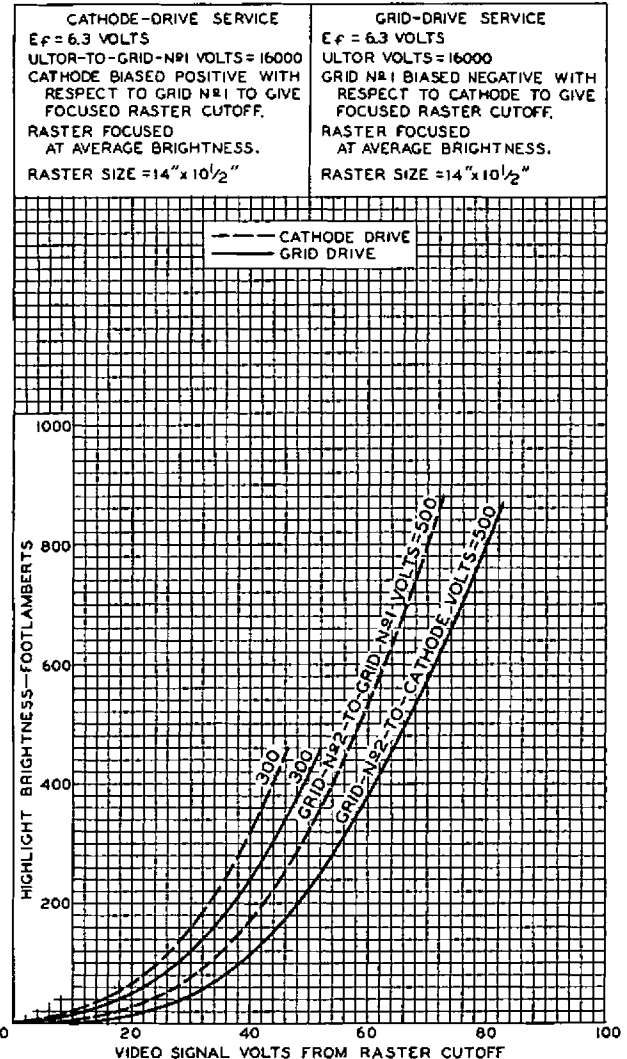
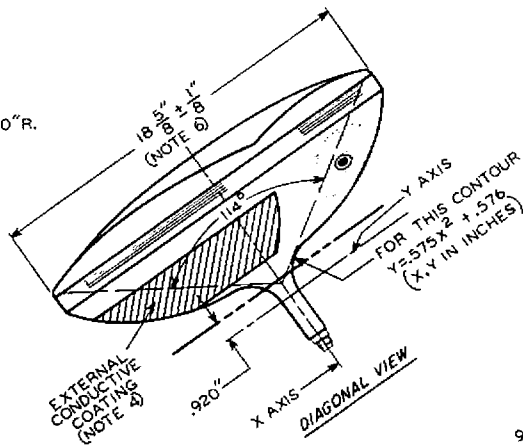
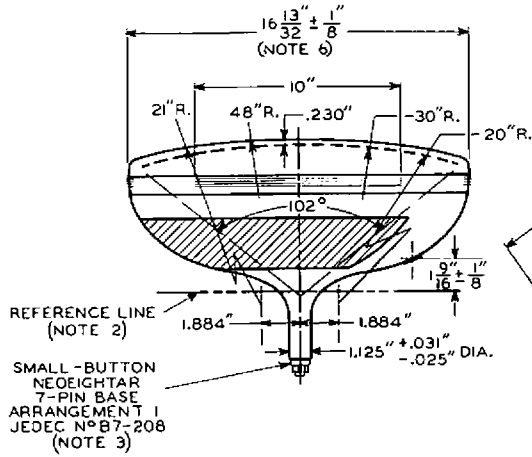
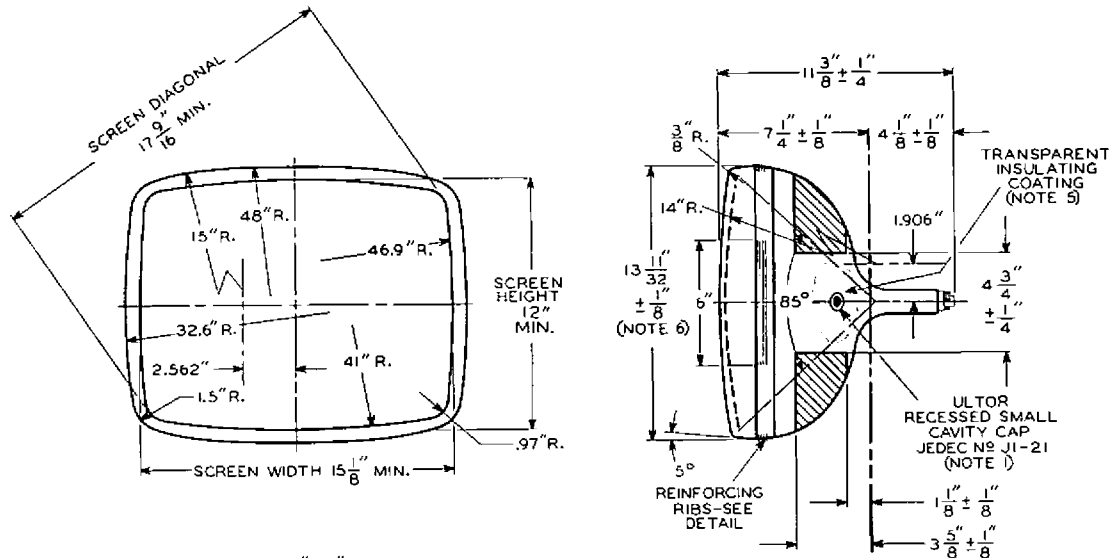


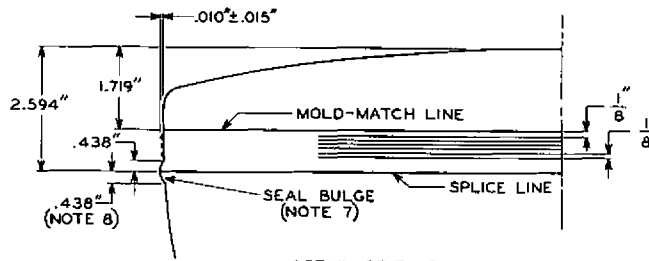
Fig. 5 - Average Drive Characteristics of Type 19XP₄.



DIMENSIONAL OUTLINE



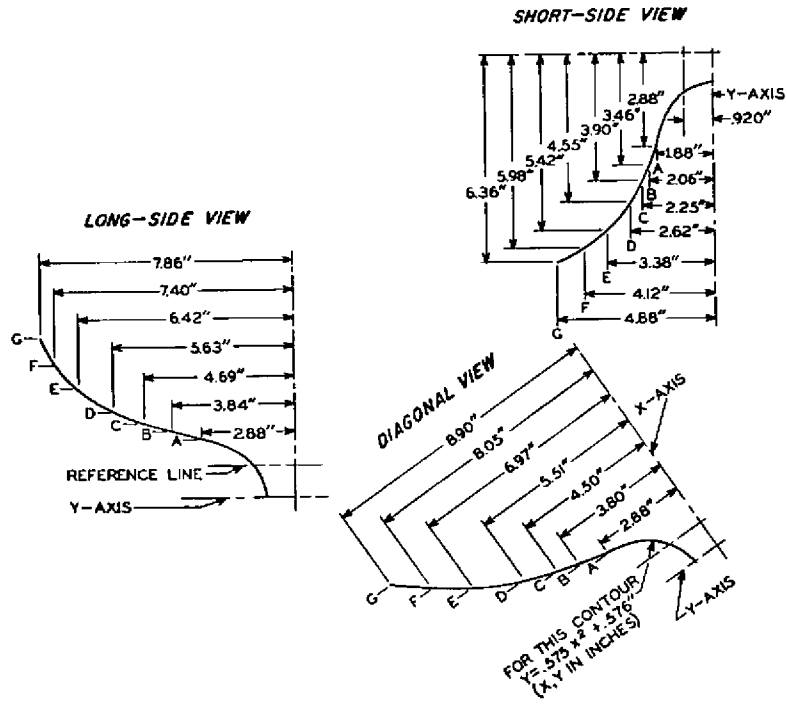
92CL-10670



DETAIL OF PANEL



BULB-CONTOUR DIMENSIONS



92CL-10669

PLANES A THROUGH G ARE NORMAL TO THE TUBE AXIS AND AT FIXED LOCATIONS FROM THE Y AXIS. THESE COORDINATES DESCRIBE THE BOGIE BULB EXTERNAL CONTOUR IN PLANES THROUGH THE TUBE AXIS AND THE RESPECTIVE FACEPLATE AXES.



NOTES FOR DIMENSIONAL OUTLINE

NOTE 1: THE PLANE THROUGH THE TUBE AXIS AND PIN No.4 MAY VARY FROM THE PLANE THROUGH THE TUBE AXIS AND ULTOR TERMINAL BY ANGULAR TOLERANCE (MEASURED ABOUT THE TUBE AXIS) OF $\pm 30^{\circ}$. ULTOR TERMINAL IS ON SAME SIDE AS PIN No.4.

NOTE 2: WITH TUBE NECK INSERTED THROUGH FLARED END OF REFERENCE-LINE GAUGE JEDEC No.G-126 AND WITH TUBE SEATED IN GAUGE, THE REFERENCE LINE IS DETERMINED BY THE INTERSECTION OF THE PLANE CC' OF THE GAUGE WITH THE GLASS FUNNEL.

NOTE 3: SOCKET FOR THIS BASE SHOULD NOT BE RIGIDLY MOUNTED; IT SHOULD HAVE FLEXIBLE LEADS AND BE ALLOWED TO MOVE FREELY. THE DESIGN OF THE SOCKET SHOULD BE SUCH THAT THE CIRCUIT WIRING CANNOT IMPRESS LATERAL STRAINS THROUGH THE SOCKET CONTACTS ON THE BASE PINS. BOTTOM CIRCUMFERENCE OF BASE WAFER WILL FALL WITHIN A CIRCLE CONCENTRIC WITH BULB AXIS AND HAVING A DIAMETER OF 1-3/4".

NOTE 4: EXTERNAL CONDUCTIVE COATING MUST BE GROUNDED.

NOTE 5: TO CLEAN THIS AREA, WIPE ONLY WITH SOFT DRY LINT-LESS CLOTH.

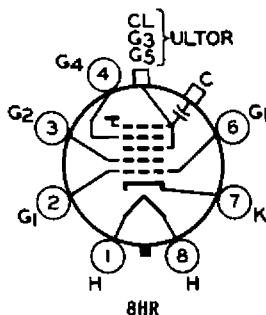
NOTE 6: MEASURED AT THE MOLD-MATCH LINE.

NOTE 7: BULGE AT SPLICE-LINE SEAL MAY INCREASE THE INDICATED MAXIMUM VALUE FOR ENVELOPE WIDTH, DIAGONAL, AND HEIGHT BY NOT MORE THAN 1/8", BUT AT ANY POINT AROUND THE SEAL, THE BULGE WILL NOT PROTRUDE MORE THAN 1/16" BEYOND THE ENVELOPE SURFACE AT THE MOLD-MATCH LINE.

NOTE 8: UNOBTURBED AREA BETWEEN MOLD-MATCH LINE AND SPLICE LINE IS 7/16" MINIMUM. THIS SHOULD BE THE MAXIMUM WIDTH OF THE TUBE SUPPORT BAND. TUBE MOUNTING AND YOKE SUPPORT CLAMPS MUST BE SPACED FROM THE TUBE BY USE OF CUSHIONING PADS MADE OF MATERIAL SUCH AS ASPHALT-IMPREGNATED FELT, OR EQUIVALENT.

BASING DIAGRAM Bottom View

PIN 1: HEATER
PIN 2: GRID No.1
PIN 3: GRID No.2
PIN 4: GRID No.4
PIN 6: GRID No.1



PIN 7: CATHODE
PIN 8: HEATER
CAP: ULTOR (Grid No.3, Grid No.5, Collector)
C: EXTERNAL CONDUCTIVE COATING

Information furnished by RCA is believed to be accurate and reliable. However, no responsibility is assumed by RCA for its use; nor for any infringements of patents or other rights of third parties which may result from its use. No license is granted by implication or otherwise under any patent or patent rights of RCA.