

EDISWAN

ESU.303

HALF-WAVE MERCURY VAPOUR RECTIFIER

ESU.303

GENERAL

The ESU.303 is a hot cathode half-wave mercury vapour rectifier. Care must be taken in installation to ensure free circulation of air around the bulb in order that the temperature limits are not exceeded.

When the rectifier is first placed in service the filament should be operated at normal voltage for 15 minutes without anode voltage in order to obtain correct distribution of mercury.

RATING

Filament Voltage (volts)	V_f	4.0
Filament Current (amps)	I_f	12.5
Maximum Peak Inverse Anode Voltage (volts)	P.I.V.(max)	14,000
Maximum Peak Anode Current (amps)	$I_a(pk)max$	3.0
Maximum Average Anode Current (amps)	$I_a(av)$	0.75
Ambient Temperature Range		10-40°C
Cathode Heating Delay Time (secs)	t	60

DIMENSIONS

Maximum Overall Length (mm)	285
Maximum Diameter (mm)	64
Approximate Nett Weight (ozs)	12
Approximate Packed Weight (lbs)	4.0
Approximate Packed Export Weight (lbs)	4½

MOUNTING POSITION - Vertical

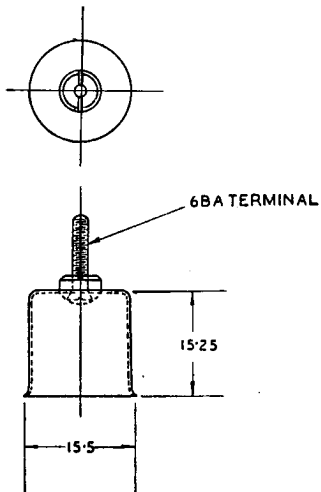
ESU.303

EDISWAN

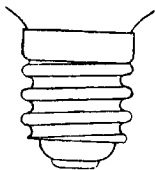
ESU.303

HALF-WAVE MERCURY VAPOUR RECTIFIER

TOP CAP Anode



BASE G.E.S. - Filament



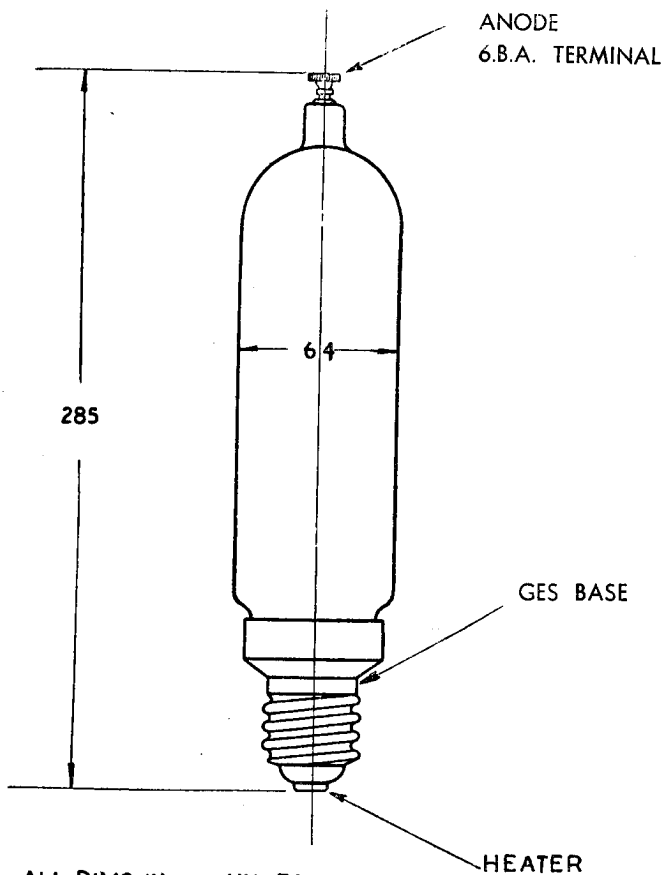
ESU.303

EDISWAN

ESU.303

HALF-WAVE MERCURY VAPOUR RECTIFIER

ESU 303



ALL DIMS. IN m.m. UNLESS
STATED OTHERWISE

October 1948

RADIO DIVISION

Issue 1/5

THE EDISON SWAN ELECTRIC COMPANY LTD.