

SVETLANA TECHNICAL DATA

3CW30,000H3

Medium-Mu Industrial Triode



The Svetlana™ 3CW30,000H3 is a high-performance ceramic/metal, water-cooled power triode designed primarily for use in industrial RF applications as an oscillator. A modern mesh filament is used. The improved mesh filament design ensures better mechanical rigidity and long lasting concentricity of the filament providing reduced warm-up variation and longer life. The low-inductance, mesh-filament basket also forms a natural extension of the cylindrical stem geometry into the active area, giving superior VHF performance to 90MHz.

The Svetlana 3CW30,000H3 is manufactured in the Svetlana Electron Devices complex in St. Petersburg, Russia. Svetlana has achieved the improved performance described above with exact replacement compatibility with the 3CW30,000H3 manufactured in the United States.

Characteristics

Electrical

Filament	Thoriated-tungsten mesh	
Voltage	6.3 ± 0.3	V
Current @ 6.3V	160	A
Amplification factor	20	
Direct interelectrode capacitances (grounded cathode)		
Input	53.0	pF
Output	1.3	pF
Feedback	34.0	pF
Maximum frequency for full ratings	90	MHz

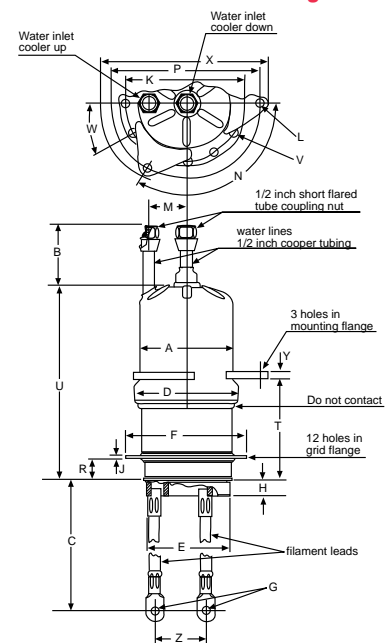
Mechanical

Cooling	Water and forced air	
Base	Flying leads/flange	
Operating position	Vertical, Base up or down	
Maximum operating temperature	250°	C
Maximum dimensions:		
Length	302.7 mm (11.92 in.)	
Diameter	171.5 mm (6.75 in.)	
Net Weight	5.45 kg (12 lb)	

Class C RF Oscillator

Maximum Ratings		
DC plate voltage	12,000	V
DC plate current	6.0	A
Grid voltage	-1000	V
Grid current	1.0	A
Plate dissipation	30	kW
Plate input power	60	kW

Svetlana Outline drawing



Dimensional Data

	Millimeters			Inches		
	Min.	Max.	Ref.	Min.	Max.	Ref.
A	103.99	105.56	—	4.094	4.156	—
B	56.72	71.42	—	2.312	2.812	—
C	215.90	228.60	—	8.500	9.000	—
D	116.69	119.40	—	4.594	4.700	—
E	82.04	83.06	—	3.230	3.270	—
F	127.76	129.29	—	5.030	5.090	—
G	—	—	9.91	—	—	.390
H	13.46	17.8	—	.530	.7	—
J	—	—	3.18	—	—	.125
K	112.40	112.90	—	4.425	4.445	—
L	—	6.73	—	—	—	.265
M	38.10	44.45	—	1.500	1.750	—
N	118°	112°	—	118°	122°	—
P	151.31	153.04	—	5.957	6.025	—
R	17.78	21.84	—	.700	.860	—
T	110.49	113.03	—	4.350	4.450	—
U	200.74	213.44	—	7.903	8.403	—
V	—	—	6.35	—	—	.250
W	29°	31°	—	29°	31°	—
X	—	—	171.45	—	—	6.750
Y	—	—	6.35	—	—	.250
Z	—	—	50.80	—	—	2.000



Svetlana
ELECTRON DEVICES

Headquarters:
8200 South Memorial Parkway
Huntsville, AL 35802
USA
Phone: 205 882 1344
Fax: 205 880 8077

Marketing & Engineering:
3000 Alpine Road
Portola Valley, CA 94028
USA
Phone: 415 233 0429
Fax: 415 233 0439

www.svetlana.com