

# Mullard OSCILLOGRAPH TUBE

# E46-G10/B10

CATHODE RAY TUBES FOR OSCILLOGRAPHIC USE.

10 - Inch Screen

Heater	Vf	=	4.0 V
	If	=	1.0 A

Capacities	Cg	=	15.0 uuF
	CD1D1'	=	6.5 uuF ←
	CD2D2'	=	5.5 uuF ←

Fluorescent Colour - Green (G10) Blue (B10)

Deflection - Double electrostatic for symmetrical operation.

### Operating Conditions

Va3 .....	5000	V
Va2 .....	1400	V
Va1 .....	250	V
-Vg <sup>#</sup> .....	0-60.0	V
N1 .....	0.13	mm/V ←
N2 .....	0.11	mm/V ←

<sup>#</sup>The Grid Voltage should be adjusted to give the required light intensity. The voltage should never become positive or damage to the tube will result.

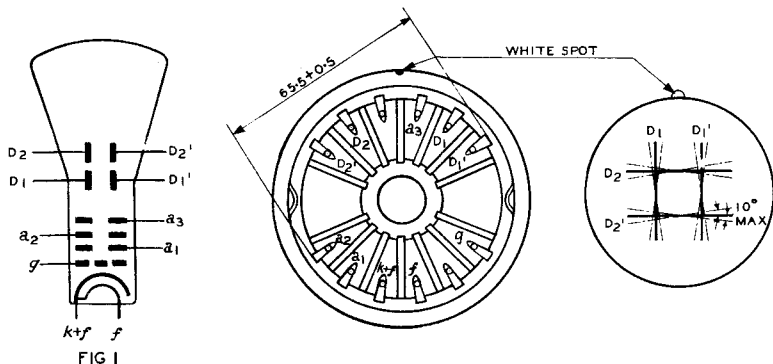
### Limiting Values

Va3 max .....	5000	V
Va2 max .....	1700	V
Va1 max .....	250	V
Max. writing speed .....	0.5	km/sec ←

E46-G10/B10.

# E46-G10/B10

# Mullard OSCILLOGRAPH TUBE



DIMENSIONS IN M/M

