

Mullard

INDIRECTLY HEATED RECTIFIER

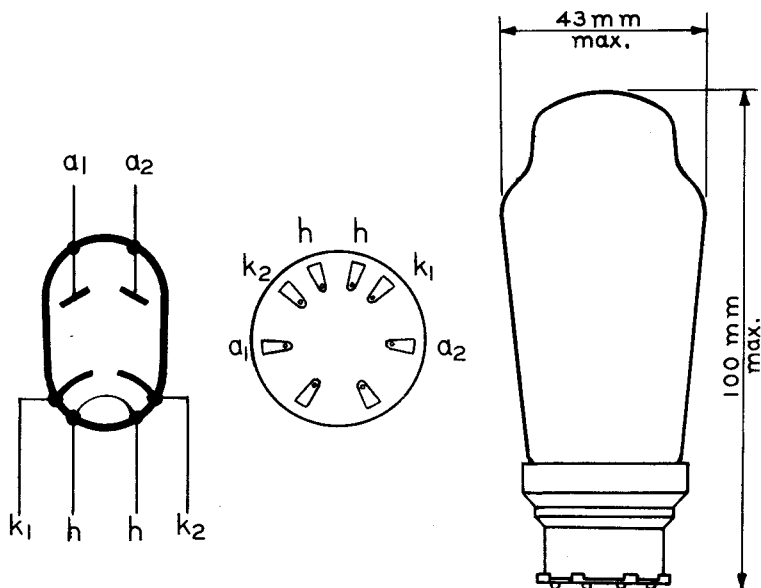
CY2

Heater

Vf = 30 V
If = 0.2 A

For operating data and characteristic curve refer to valve type UR3C. Except for base connections and overall length the CY2 and UR3C are identical.

Arrangement of electrodes and base connections.



CY2