



# Hot Cathode Mercury Vapour Thyatron

## 3V/340B

### CATHODE.

Oxide-coated filament

Voltage	2.5	V
Nominal current	5	A

### DIMENSIONS.

Maximum overall length	168	mm.
Maximum bulb diameter	60	mm.
Base	Standard British	4-pin
Net weight	90	gm.

### MAXIMUM RATINGS.

Maximum peak inverse voltage	1,500	V
Maximum peak anode current at 25 c/s and above	2	A
Maximum average anode current	0.5	A
Maximum peak grid current	0.1	A
Condensed mercury temperature range	15°C. to 40°C.	

The above ratings apply to operation with a choke input filter and a supply frequency of 50 c/s.

### MAXIMUM PEAK INVERSE VOLTAGE RATINGS.

Natural Ventilation	up to 35°C.	35°C. to 40°C.
Peak inverse voltage	1,500V	1,000V

**3V/340B**

# Hot Cathode Mercury Vapour Thyatron

**3V/340B**

## TYPICAL OPERATING CONDITIONS.

	No. of Valves	Maximum D.C. Output voltage	Maximum D.C. Output current
Bi-phase half wave	2	500V	1.0 A
Full wave	4	1000V	1.0 A

## THYRATRON OPERATION.

With a condensed mercury temperature of 35°C. the minimum value of grid blocking voltage required to prevent ignition will be :

Anode voltage	Grid voltage (approx.)
200 V	—3
500 V	—4

For positive operation it is recommended that for a given anode voltage the grid should be biased back beyond the value required to prevent ignition and a pulse of 20 to 30 volts positive applied.

The pulse should have a leading edge as near vertical as possible and the pulse circuit should be of high impedance in order to limit the grid current.

The control of the output may be effected by varying the phase of the grid pulse relative to the phase of the applied anode voltage.

This thyatron being directly heated it is recommended that the output circuit be connected to the midpoint of the filament transformer secondary.

## CATHODE HEATING TIME.

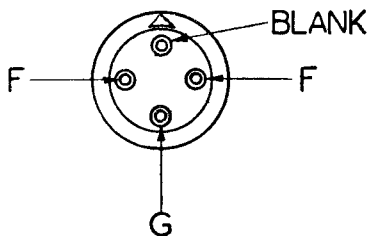
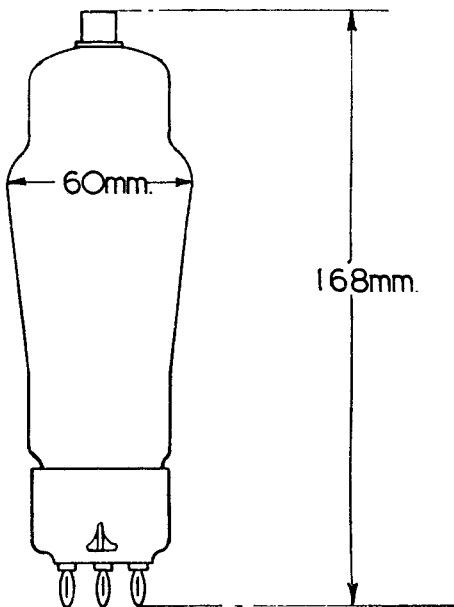
Minimum cathode heating time 30 seconds. After shipment or transit the valve must be pre-heated for not less than 15 minutes before any anode voltage is applied so that the mercury may be distributed correctly.

3V/340B



# Hot Cathode Mercury Vapour Thyatron

3V/340B



Tentative data  
May 1946

3V/340B—3