



CHARACTERISTICS

GENERAL DATA

Focusing Method	Electrostatic
Deflection Method	Magnetic
Deflection Angles (approx.)	
Horizontal	105 Degrees
Diagonal	110 Degrees
Vertical	87 Degrees
Phosphor	Aluminized P4
Fluorescence	White
Persistence	Short to Medium
Faceplate	Gray Filter Glass
Light Transmittance (approx.)	79 Percent

ELECTRICAL DATA

Heater Voltage	6.3 Volts	
Heater Current	0.6 ± 5% Ampere	
Heater Warm-up Time ¹	11 Seconds	
Direct Interelectrode Capacitances (approx.)		
Cathode to All Other Electrodes	5 μf	
Grid No. 1 to All Other Electrodes	6 μf	
External Conductive Coating to Anode ²	1500 μf	Max.
	1000 μf	Min.

MECHANICAL DATA

Minimum Useful Screen Dimensions (Maximum Assured)	14 ³ / ₄ x 11 ¹¹ / ₁₆ Inches
Minimum Useful Screen Area	155 Sq. Inches
Bulb	J132 1/2A1
Bulb Contact (Recessed Small Cavity Cap)	J1-21
Base	B6-185
Basing	7FA
Weight (approx.)	10 Pounds

RATINGS

MAXIMUM RATINGS (Absolute Maximum Values)

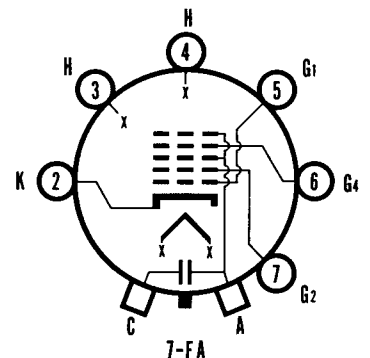
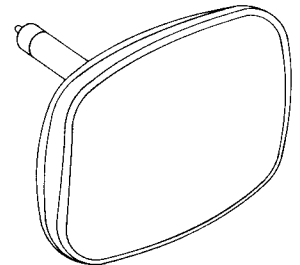
Anode Voltage	17,600 Volts	dc
Grid No. 4 Voltage (Focusing Electrode)	-550 to +1100 Volts	dc
Grid No. 2 Voltage	550 Volts	dc
Grid No. 1 Voltage		
Negative Bias Value	154 Volts	dc
Negative Peak Value	220 Volts	
Positive Bias Value	0 Volts	dc
Positive Peak Value	2 Volts	
Peak Heater-Cathode Voltage		
Heater Negative with Respect to Cathode		
During Warm-up Period not to Exceed 15 Seconds	450 Volts	
After Equipment Warm-up Period	200 Volts	
Heater Positive with Respect to Cathode	200 Volts	

TYPICAL OPERATING CONDITIONS

Anode Voltage	14,000 Volts	dc
Grid No. 4 Voltage for Focus	-50 to +350 Volts	dc
Grid No. 2 Voltage	300 Volts	dc
Grid No. 1 Voltage Required for Cutoff ³	-35 to -72 Volts	dc

QUICK REFERENCE DATA

- Television Picture Tube
- 17" Direct Viewed
- Rectangular Glass Type
- Lightweight Tube
- Spherical Faceplate
- Gray Filter Glass
- Aluminized Screen
- Electrostatic Focus
- 110° Magnetic Deflection
- 1¹/₈" Neck Diameter
- No Ion Trap
- External Conductive Coating



SYLVANIA ELECTRIC PRODUCTS INC.

TELEVISION PICTURE TUBE DIVISION

SENECA FALLS, NEW YORK

Prepared and Released By The
TECHNICAL PUBLICATIONS SECTION
EMPORIUM, PENNSYLVANIA

JUNE, 1957

PAGE 1 OF 3

CIRCUIT VALUES

Grid No. 1 Circuit Resistance 1.5 Megohms Max.

NOTES:

1. *Heater warm-up time is the time required for the voltage across the heater terminals to increase to 5.0 volts in the JETEC test circuit, with $E = 25$ volts and series $R = 31.5$ ohms.*
2. *External conductive coating must be grounded.*
3. *Visual extinction of focused raster. Extinction of stationary focused spot will require that these values be about 5 volts more negative.*

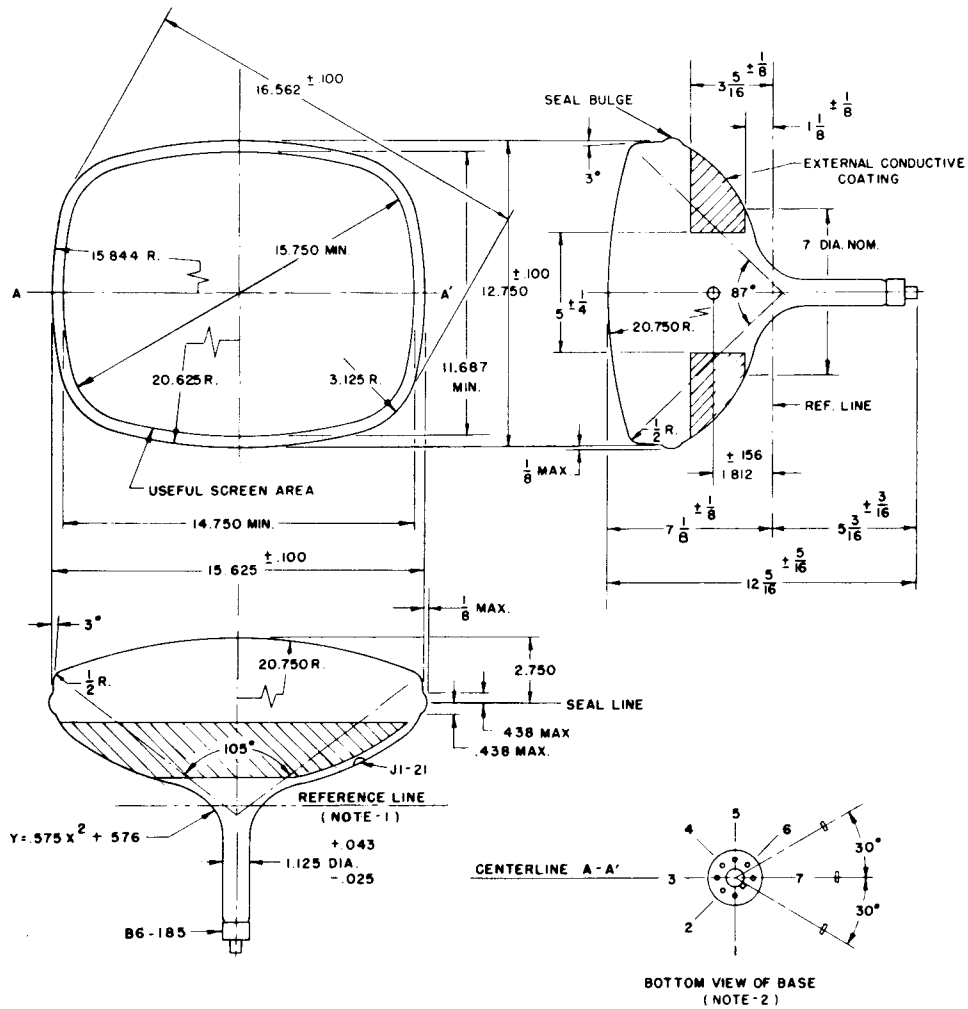


DIAGRAM NOTES:

1. Reference line is determined by plane C-C' of JETEC No. 126 Reference Line Gauge when the gauge is seated against the bulb.
2. Base pin No. 7 aligns with anode contact (J1-21) within 30°.
3. Dimensions are in inches.

WARNING:

X-ray radiation shielding may be necessary to protect against possible danger of personal injury from prolonged exposure at close range if this tube is operated at higher than the manufacturer's Maximum Rated Anode Voltage or 16,000 volts, whichever is less.