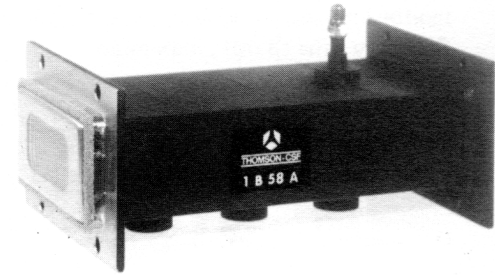




## 1B58A TR TUBE

The 1B 58 A is a broad band, fixed tuned TR tube designed to operate from 2664 to 2964 MHz, for use as Transmit-Receive gaseous switch in S-band microwave systems.

The 1B 58 A is inserted in the waveguide section by the way to the receiver, protecting it against high energy level by a gas discharge, taking place inside the tube. The gas discharge is induced by an electrode : the ignitor. When the tube is not ionized, the echo propagating towards the receiver is very slightly attenuated.



### GENERAL CHARACTERISTICS \*

#### Mechanical

Operating position .....	any
Mounting .....	ignitor low level side
Storage temperature .....	- 40 °C to + 100 °C
Approximate weight .....	1000 g
Dimensions .....	see drawing

#### Electrical

Frequency .....	2664 to 2964 MHz
-----------------	------------------

\* Characteristics given for information only. See specifications sheet for performance characteristics.

### ABSOLUTE RATINGS

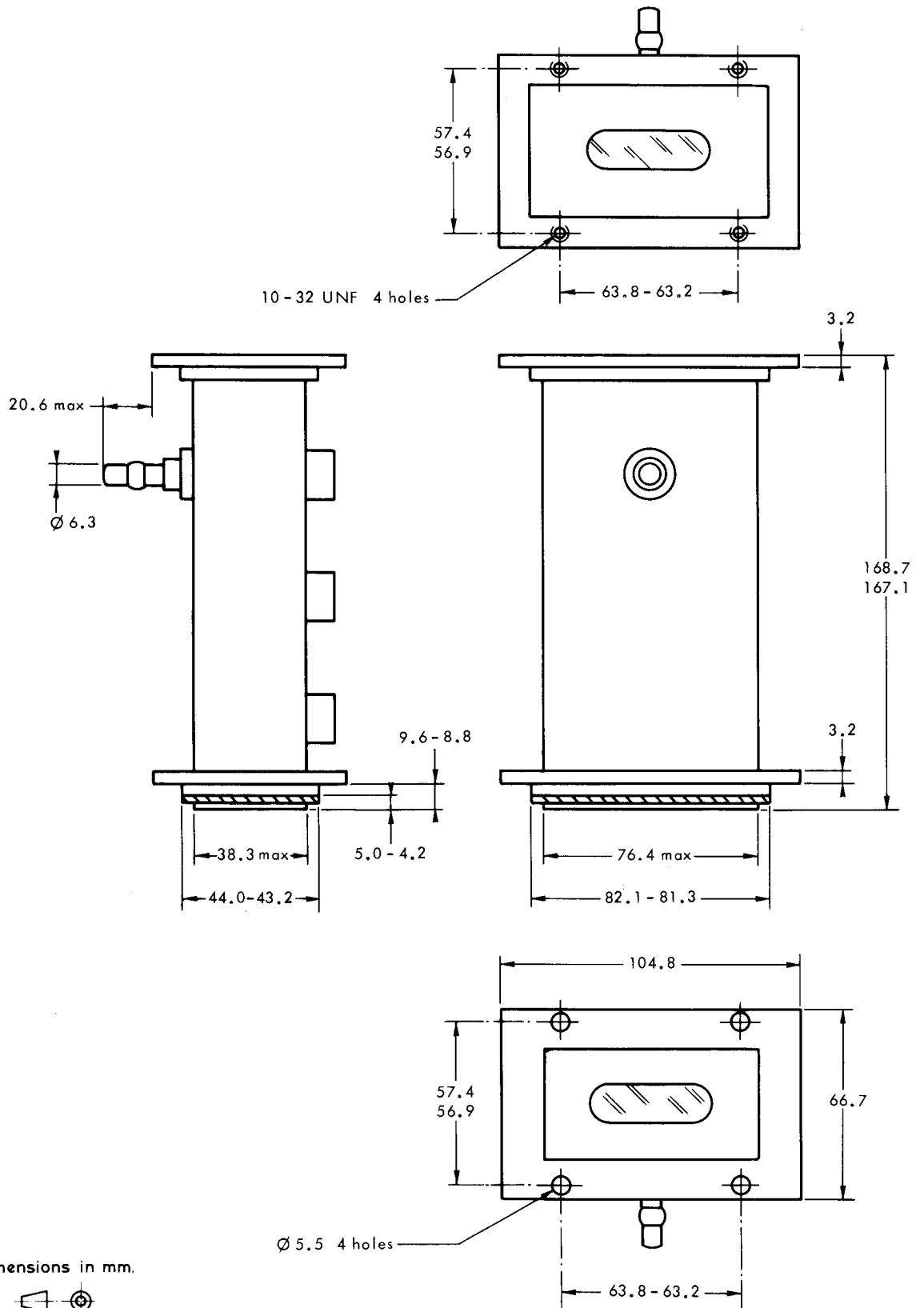
(NON SIMULTANEOUS VALUES)

	min.	max.	
Ignitor current .....	100	200	μA
Ignitor voltage (d.c. supply) .....	-500	-700	V
Peak applied power .....	10	750	kW





**OUTLINE DRAWING**



1B 58A



**THOMSON-CSF**  
GROUPEMENT TUBES ELECTRONIQUES



**THOMSON-CSF**