

**TUNG-SOL****CATHODE RAY**

THE 17YP4 IS A DIRECT VIEW PICTURE TUBE DESIGNED FOR USE IN TELEVISION APPLICATIONS. ITS FEATURES INCLUDE:

<b>GREY FILTER FACEPLATE</b>	<b>UNI-POTENTIAL CATHODE</b>
<b>EXTERNAL CONDUCTIVE COATING</b>	<b>CYLINDRICAL FACEPLATE</b>
<b>MAGNETIC FOCUS AND DEFLECTION</b>	<b>10 3/4" X 14 1/4" RASTER SIZE</b>
<b>RECTANGULAR GLASS CONSTRUCTION</b>	<b>EXTERNAL SINGLE FIELD ION TRAP</b>

**ELECTRICAL DATA**

FOCUSING METHOD		MAGNETIC
DEFLECTING METHOD		MAGNETIC
DEFLECTION ANGLE (APPROX.)		
HORIZONTAL	65	DEGREES
DIAGONAL	70	DEGREES
DIRECT INTERELECTRODE CAPACITANCES (APPROX.)		
CATHODE TO ALL OTHER ELECTRODES	5	$\mu\text{uf}$
GRID #1 TO ALL OTHER ELECTRODES	6	$\mu\text{uf}$
MAXIMUM EXTERNAL CONDUCTIVE COATING TO COLLECTOR	750	$\mu\text{uf}$
MINIMUM EXTERNAL CONDUCTIVE COATING TO COLLECTOR	500	$\mu\text{uf}$

**OPTICAL DATA**

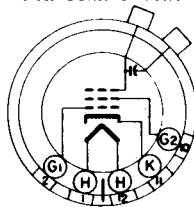
PHOSPHOR NUMBER		NO. 4
FLUORESCENT COLOR		WHITE
PHOSPHORESCENT COLOR		WHITE
PERSISTENCE		MEDIUM
FACEPLATE LIGHT TRANSMISSION AT CENTER (APPROX.)	66	PERCENT

**MECHANICAL DATA**

OVERALL LENGTH	19 3/16 $\pm$ 3/8	INCHES
GREATEST DIMENSIONS OF BULB		
DIAGONAL	16 5/8 $\pm$ 1/8	INCHES
WIDTH	15 3/8 $\pm$ 1/8	INCHES
HEIGHT	12 1/4 $\pm$ 1/8	INCHES
MINIMUM USEFUL SCREEN DIMENSIONS		
DIAGONAL	15 3/4	INCHES
WIDTH	14 1/4	INCHES
HEIGHT	10 3/4	INCHES
BULB CONTACT	RECESSED SMALL CAVITY CAP	J4-24
BASE	SMALL SHELL DUODECAL 5 PIN	B5-57
BASING		12N
BULB CONTACT ALIGNMENT		
J4-24 CONTACT ALIGNS WITH PIN POSITION #6 $\pm$ 30 DEGREES		

**PIN CONNECTIONS**

PIN 1 - HEATER  
 PIN 2 - GRID NO. 1  
 PIN 10 - GRID NO. 2



PIN 11 - CATHODE  
 PIN 12 - HEATER  
 ANODE CAP:  
 COLLECTOR

BOTTOM VIEW

CONTINUED ON FOLLOWING PAGE

**TUNG-SOL**

CONTINUED FROM PRECEDING PAGE

**RATINGS**

DESIGN CENTER VALUES

HEATER VOLTAGE	6.3	VOLTS
HEATER CURRENT	0.6	AMP.
MAXIMUM DC COLLECTOR VOLTAGE	18 000	VOLTS
MAXIMUM DC GRID #2 VOLTAGE	500	VOLTS
MAXIMUM GRID #1 VOLTAGE		
DC NEGATIVE-BIAS VALUE	125	VOLTS
DC POSITIVE-BIAS VALUE	0	VOLTS
POSITIVE BIAS VALUE	2	VOLTS
MAXIMUM DC PEAK HEATER-CATHODE VOLTAGE		
HEATER NEGATIVE WITH RESPECT TO CATHODE		
DURING WARM-UP PERIOD NOT TO EXCEED 15 SECONDS	410	VOLTS
AFTER EQUIPMENT WARM-UP PERIOD	150	VOLTS
HEATER POSITIVE WITH RESPECT TO CATHODE	150	VOLTS

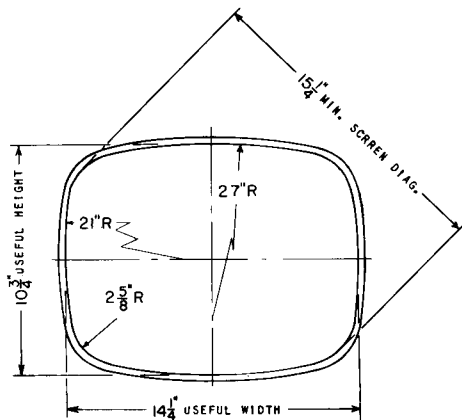
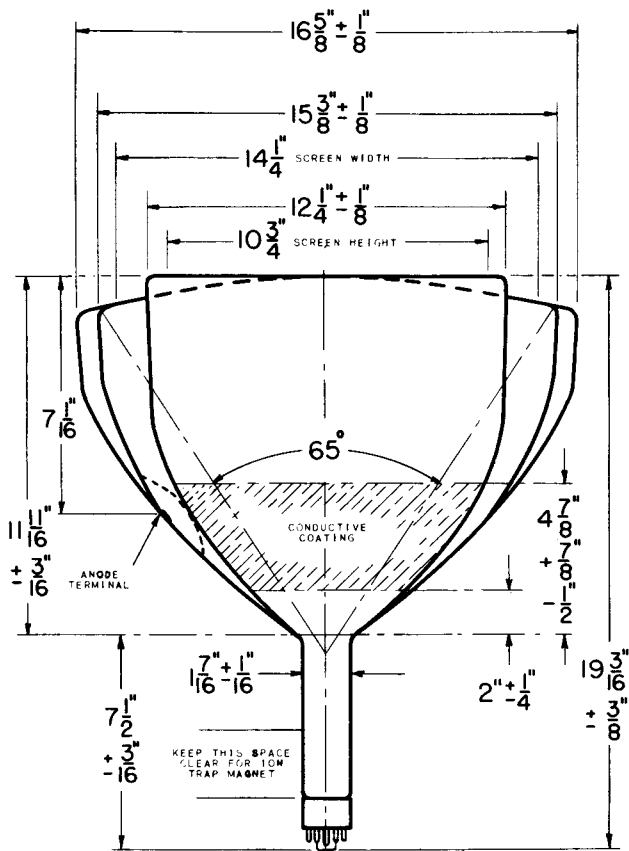
**TYPICAL OPERATING CONDITIONS AND CHARACTERISTICS**

DC COLLECTOR VOLTAGE	16 000	VOLTS
DC GRID #2 VOLTAGE	300	VOLTS
DC GRID #1 VOLTAGE <sup>A</sup>	-33 TO -77	VOLTS
DC FOCUSING COIL CURRENT (APPROX.)	100	MA.
ION TRAP FIELD INTENSITY (APPROX.)	45	GAUSSSES

**CIRCUIT VALUES**

MAXIMUM GRID #1 CIRCUIT RESISTANCE	1.5	MEGOHMS
------------------------------------	-----	---------

**TUNG-SOL**



PRINTED IN U. S. A.