

TUNG-SOL**CATHODE RAY**

THE 17BKP4 AND 17BKP4A ARE DIRECT VIEW PICTURE TUBES DESIGNED FOR TELEVISION APPLICATIONS. THE TUBES ARE IDENTICAL EXCEPT FOR THE ALUMINIZED SCREEN ON THE 17BKP4A.

THEIR COMMON FEATURES INCLUDE:

MAGNETIC DEFLECTION	ELECTROSTATIC FOCUS
UNIPOENTIAL CATHODE	GRAY FILTER FACEPLATE
EXTERNAL CONDUCTIVE COATING	EXTERNAL SINGLE FIELD ION TRAP
RECTANGULAR GLASS CONSTRUCTION	14 5/16" X 11 1/8" RASTER SIZE

ELECTRICAL DATA

FOCUSING METHOD		ELECTROSTATIC
DEFLECTING METHOD		MAGNETIC
DEFLECTION ANGLE (APPROX.):		
HORIZONTAL	85	DEGREES
DIAGONAL	90	DEGREES
DIRECT INTERELECTRODE CAPACITANCES (APPROX.):		
CATHODE TO ALL OTHER ELECTRODES	5	$\mu\mu\text{f}$
GRID #1 TO ALL OTHER ELECTRODES	6	$\mu\mu\text{f}$
MAXIMUM EXTERNAL CONDUCTIVE COATING TO ANODE	1500	$\mu\mu\text{f}$
MINIMUM EXTERNAL CONDUCTIVE COATING TO ANODE	1200	$\mu\mu\text{f}$

OPTICAL DATA

PHOSPHOR NUMBER	SULFIDE TYPE	P-4
FLUORESCENT COLOR		WHITE
PHOSPHORESCENT COLOR		WHITE
PERSISTENCE		MEDIUM
FACEPLATE TRANSMISSION AT CENTER (APPROX.):	74	PERCENT

RATINGS

INTERPRETED ACCORDING TO DESIGN CENTER SYSTEM

HEATER VOLTAGE	6.3	VOLTS
HEATER CURRENT	0.450 \pm 5%	AMP.
MAXIMUM DC ANODE VOLTAGE	17 600	VOLTS
MAXIMUM DC GRID #4 VOLTAGE	-550 TO +1100	VOLTS
MAXIMUM DC GRID #2 VOLTAGE	550	VOLTS
MAXIMUM GRID #1 VOLTAGE:		
DC NEGATIVE-BIAS VALUE	155	VOLTS
DC POSITIVE-BIAS VALUE	0	VOLTS
DC POSITIVE-PEAK VALUE	2	VOLTS
MAXIMUM DC PEAK HEATER-CATHODE VOLTAGE:		
HEATER NEGATIVE WITH RESPECT TO CATHODE		
DURING WARM-UP PERIOD NOT TO EXCEED 15 SECONDS	450	VOLTS
AFTER EQUIPMENT WARM-UP PERIOD	200	VOLTS
HEATER POSITIVE WITH RESPECT TO CATHODE	200	VOLTS
MAXIMUM GRID #1 CIRCUIT RESISTANCE	1.5	MEG OHMS
HEATER WARM-UP TIME (APPROX.) *	11.0	SECONDS

TYPICAL OPERATING CONDITIONS AND CHARACTERISTICS

DC ANODE VOLTAGE	14 000	VOLTS
DC GRID #4 VOLTAGE	-56 TO +310	VOLTS
DC GRID #2 VOLTAGE	300	VOLTS
DC GRID #1 VOLTAGE ^A	-28 TO -72	VOLTS
DC ION TRAP MAGNET STANDARD COIL #117 (APPROX.)	28	MA.
DC ION TRAP MAGNET RATED STRENGTH	31	GAUSES

^A VISUAL EXTINCTION OF FOCUSED RASTER.

* HEATER WARM-UP TIME IS THE TIME REQUIRED FOR THE VOLTAGE ACROSS THE HEATER TERMINALS TO INCREASE TO 5.0 VOLTS IN THE JETEC TEST CIRCUIT, WITH E=25 VOLTS AND SERIES R=42 OHMS.

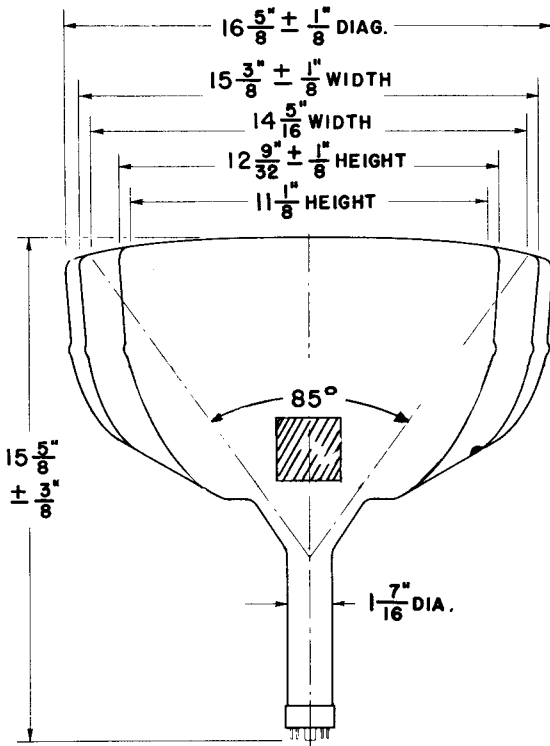
CONTINUED ON FOLLOWING PAGE

TUNG-SOL

CONTINUED FROM PRECEDING PAGE

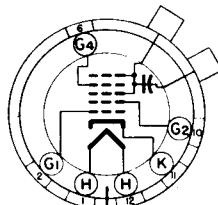
MECHANICAL DATA

OVERALL LENGTH	15 5/8 ± 3/8	INCHES
GREATEST DIMENSIONS OF BULB:		
DIAGONAL	16 5/8 ± 1/8	INCHES
WIDTH	15 3/8 ± 1/8	INCHES
HEIGHT	12 9/32 ± 1/8	INCHES
MIN. USEFUL SCREEN DIMENSIONS:		
WIDTH	14 5/16	INCHES
HEIGHT	11 1/8	INCHES
BULB CONTACT	RECESSED SMALL CAVITY CAP	J1-21
BASE	SMALL SHELL DUODECAL 6 PIN	B6-63
BASING		12L
BULB CONTACT ALIGNMENT		
J1-21 CONTACT ALIGNS WITH PIN POSITION #6 ± 30 DEGREES		



PIN CONNECTIONS

- PIN 1 - HEATER
- PIN 2 - GRID #1
- PIN 6 - GRID #4
- PIN 10 - GRID #2
- PIN 11 - CATHODE



- PIN 12 - HEATER
- ANODE CAP:
- GRID NO. 3
- GRID NO. 5

BOTTOM VIEW