

—PRODUCT INFORMATION—

# Compactron Beam Pentode

**6MH6**

FOR TV HORIZONTAL-DEFLECTION  
AMPLIFIER APPLICATIONS

- COLOR TV TYPE
- 38.5 WATTS PLATE DISSIPATION
- 280 VOLTS B +
- 500 MILLIAMPERES DC CATHODE CURRENT
- OVER 1 AMPERE PEAK CURRENT

The 6MH6 is a compactron beam-power pentode primarily designed for use as the horizontal-deflection amplifier in color television receivers. It is characterized by having a very low knee with a very high peak current of over an ampere. This results in a basic capability to scan 90-degree large screen color picture tubes at 26 KV from 280-volt power supplies. Its low knee minimizes "snivets" without the necessity of supplying special voltages to the beam plates.

## GENERAL

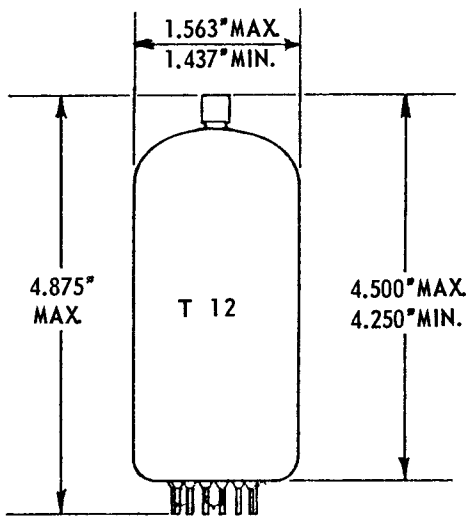
### ELECTRICAL

- Cathode-Coated Unipotential  
Heater Characteristics and Ratings
- |                          |                  |         |
|--------------------------|------------------|---------|
| Heater Voltage, AC or DC | *..... 6.3 ± 0.6 | VOLTS   |
| Heater Current           | •..... 2.65      | Amperes |
- Direct Interelectrode Capacitances, approximate ↓
- |                                   |           |    |
|-----------------------------------|-----------|----|
| Grid Number 1 to Plate: (g1 to p) | ..... 1.0 | pf |
| Input g1 to (h+k+g2+b.p.)         | ..... 40  | pf |
| Output: p to (h+k+g2+b.p.)        | ..... 20  | pf |

### MECHANICAL

- Operating Position - Any  
Envelope - T-12, Glass  
Base - E12-74, Button 12 Pin  
Top Cap - C1-1, Small  
Outline Drawing - EIA 12-136
- |                         |             |        |
|-------------------------|-------------|--------|
| Maximum Diameter        | ..... 1.563 | Inches |
| Minimum Diameter        | ..... 1.437 | Inches |
| Maximum Over-all Length | ..... 4.875 | Inches |
| Maximum Seated Height   | ..... 4.500 | Inches |
| Minimum Seated Height   | ..... 4.250 | Inches |

### PHYSICAL DIMENSIONS

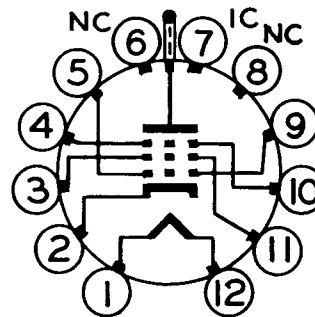


EIA 12-136

### TERMINAL CONNECTIONS

- Pin 1 - Heater
- Pin 2 - Cathode
- Pin 3 - Grid-Number 2 (Screen)
- Pin 4 - Beam Plates
- Pin 5 - Grid-Number 1
- Pin 6 - No Connection
- Pin 7 - Internal Connection (Do not use)
- Pin 8 - No Connection
- Pin 9 - Grid-Number 1
- Pin 10 - Beam Plates
- Pin 11 - Grid-Number 2 (Screen)
- Pin 12 - Heater
- Cap - Plate.

### BASING DIAGRAM



EIA 12GW

## MAXIMUM RATINGS

### HORIZONTAL-DEFLECTION AMPLIFIER SERVICE ▲— DESIGN-MAXIMUM VALUES UNLESS OTHERWISE STATED

Peak Positive Pulse Plate Voltage .....	8000	Volts
Positive DC Beam Plate Voltage ¶ .....	50	Volts
Screen Voltage .....	275	Volts
Peak Negative Grid-Number 1 Voltage .....	300	Volts
Plate Dissipation □ (Absolute-Maximum Value) .....	38.5	Watts
Screen Dissipation .....	7.0	Watts
DC Cathode Current .....	500	Milliamperes
Peak Cathode Current .....	1750	Milliamperes
Heater-Cathode Voltage		
Heater Positive with respect to Cathode		
DC Component .....	100	Volts
Total DC and Peak .....	200	Volts
Heater Negative with respect to Cathode		
Total DC and Peak .....	200	Volts
Grid-Number 1 Circuit Resistance §		
With Feedback-Type High Voltage Regulation .....	1.2	Megohms
With Shunt-Type High Voltage Regulation (Switching Mode) .....	2.2	Megohms
Beam Plate Circuit Resistance ¶ .....	10000	Ohms
Bulb Temperature ® .....	275	°C

Design-Maximum ratings are limiting values of operating and environmental conditions applicable to a bogey electron tube of a specified type as defined by its published data and should not be exceeded under the worst probable conditions.

The tube manufacturer chooses these values to provide acceptable serviceability of the tube, making allowance for the effects of changes in operating conditions due to variations in the characteristics of the tube under consideration.

The equipment manufacturer should design so that initially and throughout life no design-maximum value for the intended service is exceeded with a bogey tube under the worst probable operating conditions with respect to supply-voltage variation, equipment component variation, equipment control adjustment, load variation, signal variation, environmental conditions, and variations in the characteristics of all other electron devices in the equipment.

## CHARACTERISTICS AND TYPICAL OPERATION

### AVERAGE CHARACTERISTICS

Plate Voltage .....	7000	45	60	175	Volts
Beam Plates Connected to Cathode at Socket					
Screen Voltage .....	175	160	110	110	Volts
Grid-Number 1 Voltage .....	---	0	0	-21	Volts
Plate Resistance, Approximate .....	---	---	---	6000	Ohms
Transconductance .....	---	---	---	14000	Micromhos
Plate Current .....	---	1100†	760†	125	Milliamperes
Screen Current .....	---	110†	42†	3.3	Milliamperes
Grid-Number 1 Voltage, Approximate					
I <sub>b</sub> = 1.0 Milliamperes .....	160	---	---	-40	Volts
Triode Amplification Factor ‡ .....	---	---	---	4.0	

### MINIMUM RECOMMENDED GRID DRIVE

Peak Positive Pulse Plate Voltage .....	6000	7000	Volts
Peak Negative Grid-Number 1 Voltage for E <sub>g2</sub> = 150 Volts .....	210	230	Volts
Peak Negative Grid-Number 1 Voltage for E <sub>g2</sub> = 200 Volts .....	235	260	Volts

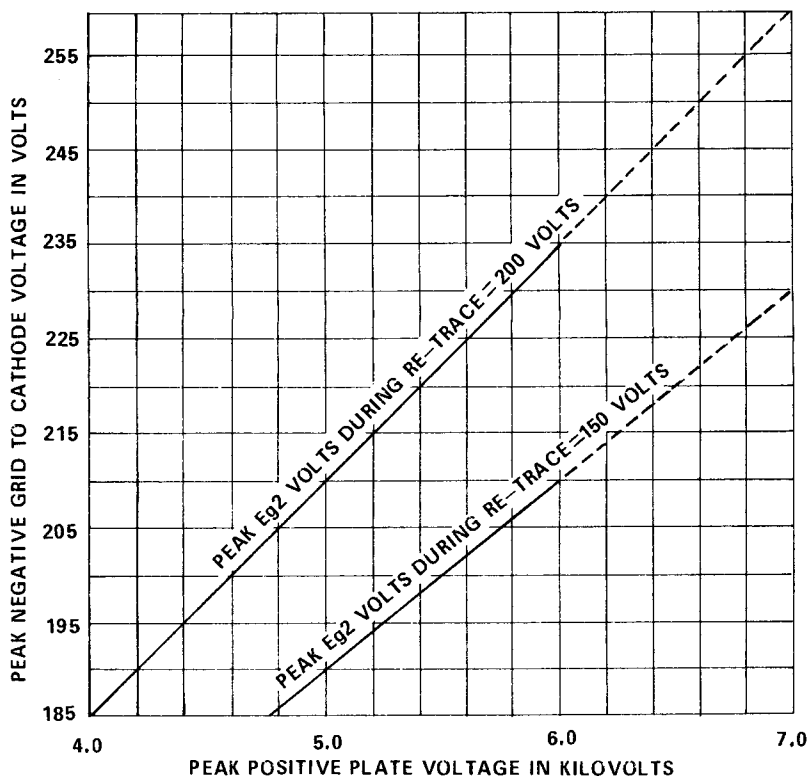
## NOTES

- Publication of these data does not obligate the General Electric Company to manufacture a tube with these characteristics.
- \* The equipment designer should design the equipment so that heater voltage is centered at the specified bogey value, with heater supply variations restricted to maintain heater voltage within the specified tolerance.
- Heater current of a bogey tube at  $E_f = 6.3$  volts.
- ♦ Without external shield.
- ▲ For operation in a 525-line, 30-frame television system as described in "Standards of Good Engineering Practice Concerning Television Broadcast Stations", Federal Communications Commission. The duty cycle of the voltage pulse must not exceed 15 percent of one scanning cycle.
- In stages operating with grid-leak bias, an adequate cathode-bias resistor or other suitable means is required to protect the tube in the absence of excitation.
- ¶ Resistance up to 10,000 ohms is permitted providing the positive beam plate voltage does not exceed the rated value. Bypassing the resistor in the beam plate circuit is not recommended.
- § The circuit design has to be such that negative control grid currents up to 5 microamperes do not have any detrimental effect upon tube adjustment or circuit performance. Care should be taken so that the limiting values for plate dissipation, screen dissipation, and cathode current are not exceeded with 5 microamperes grid current.
- ⊖ Measured with an infrared thermometer, Ircon Model 700 BC or equivalent.
- † Values measured by a method involving a recurrent waveform such that the plate and screen dissipation will be kept within rating in order to prevent damage to the tube.
- ‡ Triode connection (screen tied to plate) with  $E_b = E_{c2} = 175$  volts, and  $E_{c1} = -21$  volts.

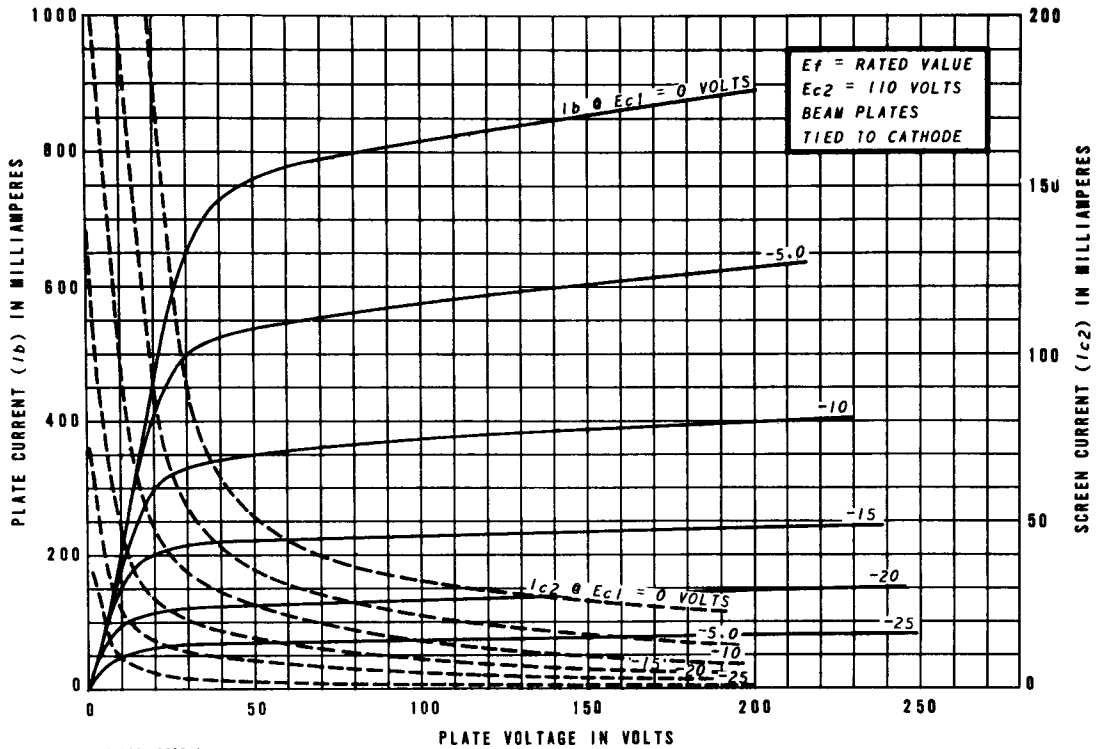
The tubes and arrangements disclosed herein may be covered by patents of General Electric Company or others. Neither the disclosure of any information herein nor the sale of tubes by General Electric Company conveys any license under patent claims covering combinations of tubes with other devices or elements. In the absence of an

express written agreement to the contrary, General Electric Company assumes no liability for patent infringement arising out of any use of the tubes with other devices or elements by any purchaser of tubes or others.

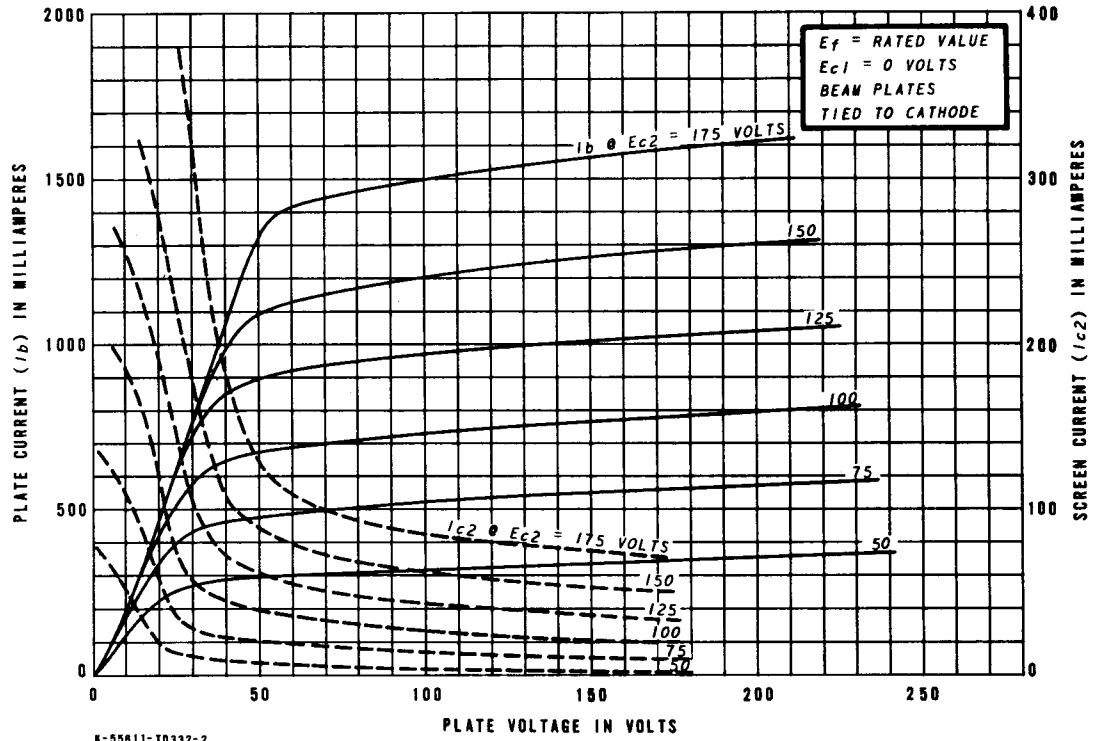
### RECOMMENDED MINIMUM PEAK NEGATIVE GRID VOLTAGE vs PEAK POSITIVE PULSE PLATE VOLTAGE



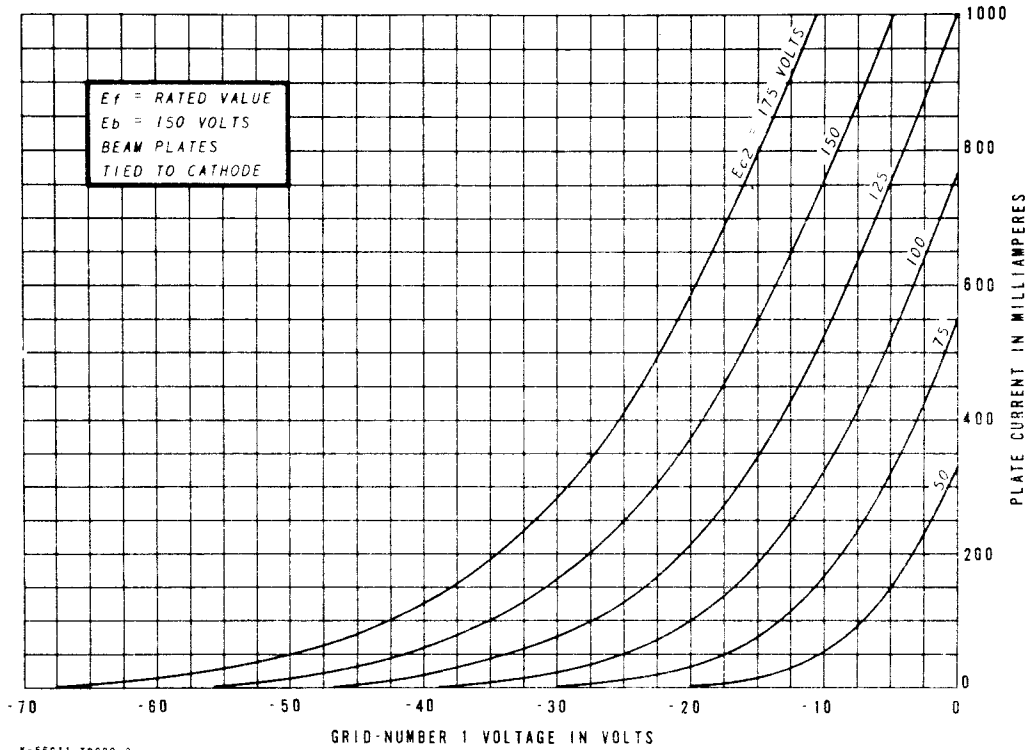
## AVERAGE PLATE CHARACTERISTICS



## AVERAGE PLATE CHARACTERISTICS

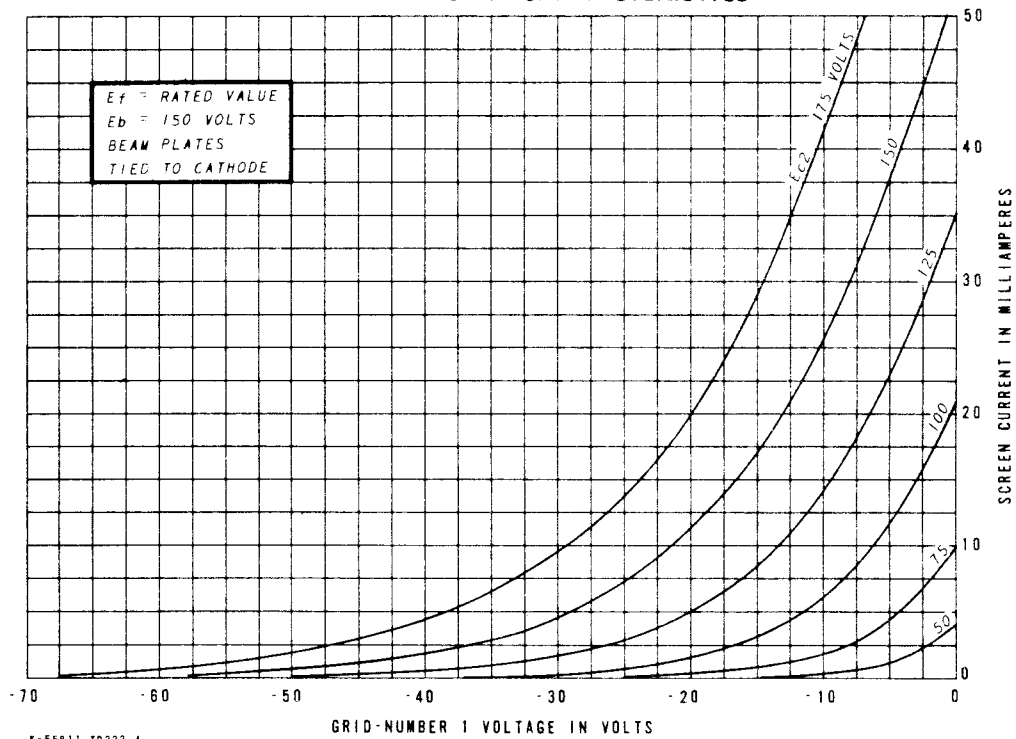


## AVERAGE TRANSFER CHARACTERISTICS



K-55611-T0332-3

## AVERAGE TRANSFER CHARACTERISTICS



K-55611-T0332-4

**6MH6**

Page 6  
12-72

**TUBE PRODUCTS DEPARTMENT**

**GENERAL  ELECTRIC**

**Owensboro, Kentucky 42301**