

**ESW5000**  
**WATER COOLED TRIODE**  
 (Previously EHW5000)

GENERAL

The ESW 5000 is a directly heated three electrode power valve designed for use as a radio - frequency amplifier, oscillator or Class 'B' modulator. It is an exact equivalent to the American GL.889.

RATING

Filement Voltage (volts)	$V_f$	11
Filement Current (amps)	$I_f$	125
Maximum Anode Voltage (volts)	$V_a(\text{max})$	8,500
Maximum Filament Emission (amps)	$F_{em}$	9
Maximum Anode Dissipation (k.W.)	$W_a(\text{max})$	5
Mutual Conductance (mA/V)	$g_m$	10
Amplification Factor	$\mu$	20
Anode Impedance (ohms)	$r_a$	2,000
Maximum Operating Frequency at full rating		25 Mc/s
R.F. Power Output (kW)	$P_{out}$	10

INTER-ELECTRODE CAPACITANCES

Anode/Grid ( $\mu\text{pF}$ )	$C_{a-gl}$	20.7
Anode/Filament ( $\mu\text{pF}$ )	$C_{a-f}$	2.5
Grid/Filament ( $\mu\text{pF}$ )	$C_{gl-f}$	19.5

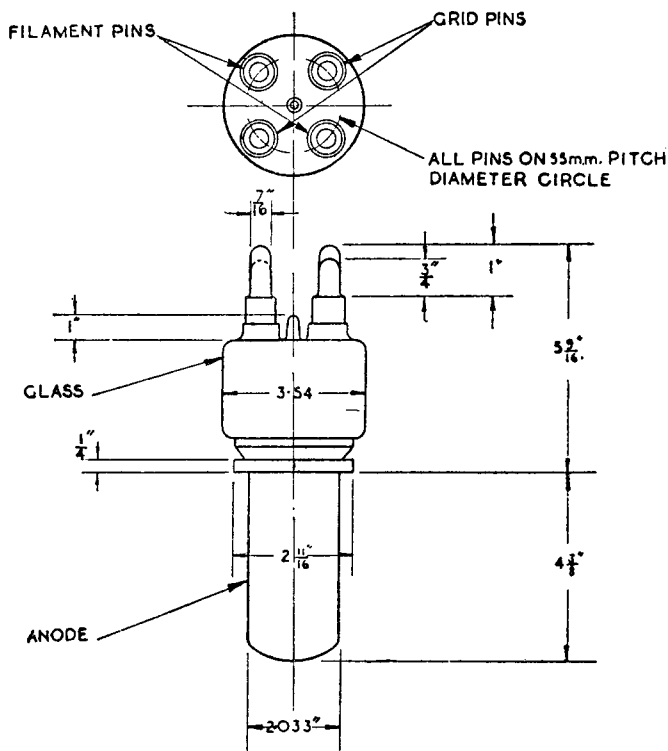
Water Flow (MAIN) 3 - 6 gallons per minute

AIR FLOW 15 cubic feet per minute should be directed on to seals.

DIMENSIONS

Maximum Overall Length (mm)		267
Maximum Diameter (mm)		90

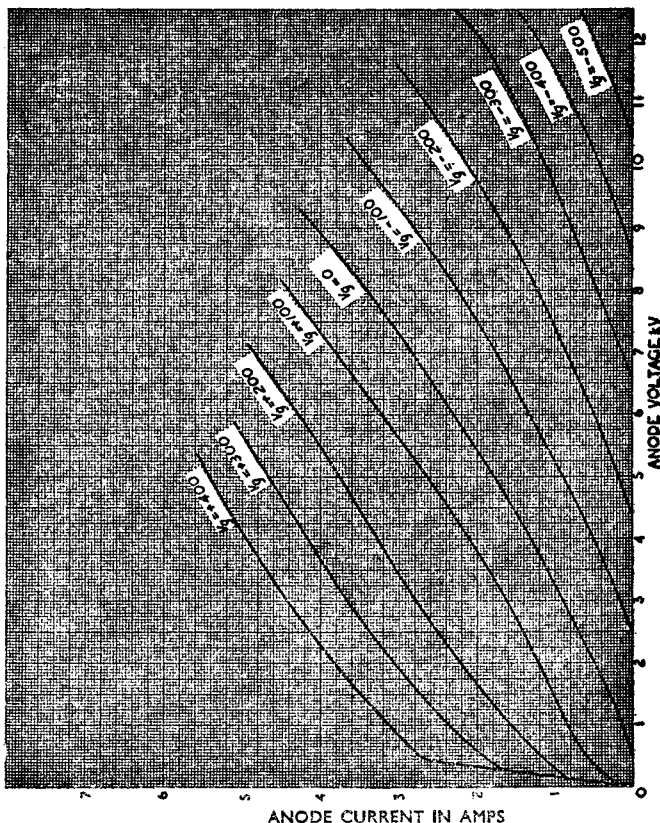
**ESW5000**  
**WATER COOLED TRIODE**  
 (Previously EHW5000)



All dimensions in mm. unless otherwise stated

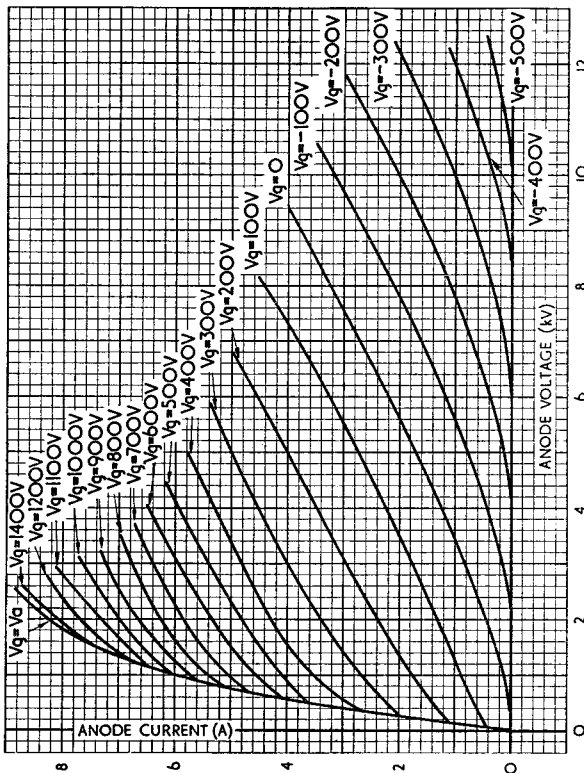
**ESW5000**  
WATER COOLED TRIODE  
(Previously EHW5000)

**AVERAGE CHARACTERISTIC CURVES**



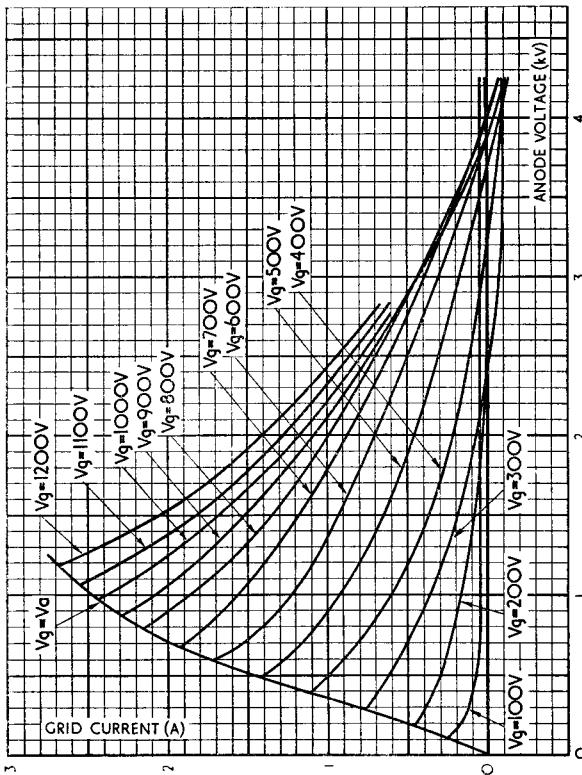
**ESW5000**  
**WATER COOLED TRIODE**  
 (Previously EHW5000)

AVERAGE CHARACTERISTIC CURVES:  $I_a/V_a$   
 ( $V_f = 11$  Volts A.C.)



**ESW5000**  
**WATER COOLED TRIODE**  
 (Previously EHW5000)

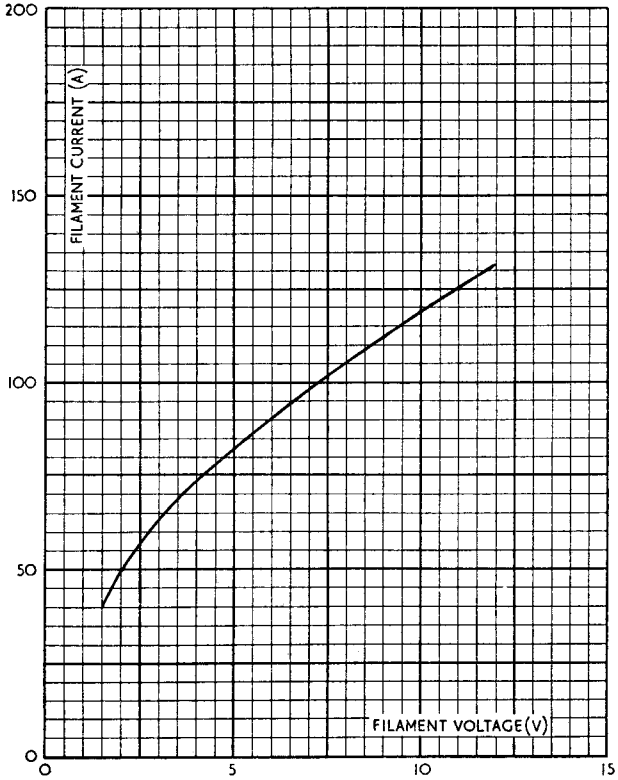
CHARACTERISTIC CURVES:  $I_g/V_a$   
 ( $V_f = 11$  Volts A.C.)





**ESW5000**  
**WATER COOLED TRIODE**  
(Previously EHW5000)

AVERAGE CHARACTERISTIC CURVE:  $I_f/V_f$   
(Cold resistance = 0.0003  $\Omega$ )





**ESW5000**  
WATER COOLED TRIODE  
(Previously EHW5000)

CHARACTERISTIC CURVE:  $I_{em}/V_f$

