

GENERAL POST OFFICE: E-IN-C ( W )

( P O - V T 56 )

Specification: G.P.O./EV 1648/Issue 1 Dated: 6-8-46 To be read in conjunction with K 1001	<u>SECURITY</u>	
	<u>Specification</u> Restricted	<u>Valve</u> Restricted

—————> indicates a change

<u>TYPE OF VALVE:</u> Triode <u>CATHODE:</u> Directly heated <u>ENVELOPE:</u> Unmetallised glass <u>PROTOTYPE</u> 4205E			<u>MARKING</u> See K 1001/4											
<u>RATING</u>			<u>BASE</u>											
Filament current (A)	1.6	Note  A A A  B B	See drawing on page 2											
Nominal filament voltage (V)	4.5		<u>CONNEXIONS</u>											
Max. anode voltage (V)	400		See drawing on page 2											
Max. anode current (mA)	50.0		<u>DIMENSIONS</u>											
Max. anode dissipation (W)	15.0		See K 1001/A1/D1											
Max. operating frequency (Mc/s)	30		<table border="1" style="width: 100%; text-align: center;"> <thead> <tr> <th>Dimension</th> <th>Min.</th> <th>Max.</th> </tr> </thead> <tbody> <tr> <td>A (mm)</td> <td>-</td> <td>110</td> </tr> <tr> <td>B (mm)</td> <td>-</td> <td>65</td> </tr> </tbody> </table>			Dimension	Min.	Max.	A (mm)	-	110	B (mm)	-	65
Dimension	Min.					Max.								
A (mm)	-					110								
B (mm)	-		65											
Max. anode voltage at 30 Mc/s (V)	300													
Amplification factor	6.7													
Anode impedance (ohms)	3500													
<u>CAPACITANCES (pF)</u>														
C <sub>ag</sub> (nominal)	4.8													
C <sub>ge</sub> (nominal)	5.2													
C <sub>ae</sub> (nominal)	3.3													
<u>NOTES</u>														
A. The maximum frequency of operation for these ratings is 15 Mc/s.														
B. Measured with V <sub>a</sub> = 250, and V <sub>g</sub> = - 15 (D.C. filament)														

# CV1648

## TESTS

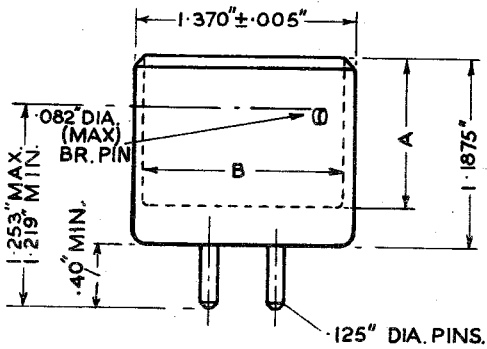
To be performed in addition to those applicable in K 1001

	TEST CONDITIONS			TEST	LIMITS		No. Tested	Note
	If (A) (DC)	Va	Vg		Min.	Max.		
(a)	1.6	-	-	Vf (V)	4.0	5.0	100%	
(b)	1.6	350	-15	Reverse Ig ( $\mu$ A)	-	5.0	100%	1
(c)	1.6	250	-15	Ia (mA)	17.0	25.0	100%	
(d)	1.6	250	-15	$\mu$	6.0	7.4	100%	
(e)	1.6	250	-15	Ra (ohms)	3000	4500	100%	

### NOTE

- The duration of test (b) shall be 2 minutes and the reverse grid current shall not be rising at the end of the test.

### BAYONET CAP 4-PIN BASE, AND CONNEXIONS (NON-STANDARD)



NOTE: INTERNAL DIMENSIONS A & B TO SUIT MANUFACTURERS' REQUIREMENTS.

